

USER'S MANUAL  
BEDIENUNGSANLEITUNG  
MANUEL D'UTILISATION  
MANUAL DE USUARIO  
INSTRUKCJA OBSŁUGI  
MANUALE D'USO

LDsystems 



# HPA 2

2-CHANNEL HEADPHONE AMPLIFIER

LDHPA2

# CONTENTS / INHALTSVERZEICHNIS / CONTENU / CONTENIDO / TREŠĆ / CONTENUTO

## ENGLISH

ABOUT THIS MANUAL	4
INTENDED USE	4
EXPLANATIONS OF TERMS AND SYMBOLS	4
SAFETY INSTRUCTIONS	5
NOTES FOR INDOOR INSTALLATION EQUIPMENT	7
PACKAGING CONTENT	8
INTRODUCTION	8
CONNECTIONS, OPERATING AND DISPLAY ELEMENTS	9
CONNECTION EXAMPLES	11
TERMINAL STRIP CONNECTIONS	12
UNDER / ON-TABLE MOUNTING	12
CARE, MAINTENANCE AND REPAIR	13
DIMENSIONS	14
TECHNICAL DATA	14
DISPOSAL	16
MANUFACTURER'S DECLARATIONS	17

## DEUTSCH

INFORMATIONEN ZU DIESER	
BEDIENUNGSANLEITUNG	18
BESTIMMUNGSGEMÄSSER GEBRAUCH	18
BEGRIFFS- UND SYMBOLERKLÄRUNGEN	18
SICHERHEITSHINWEISE	19
HINWEISE FÜR INDOOR-INSTALLATIONSGERÄTE	22
LIEFERUMFANG	22
EINLEITUNG	22
ANSCHLÜSSE, BEDIEN- UND ANZEIGEELEMENTE	23
ANSCHLUSSBEISPIELE	25
KLEMMLEISTENANSCHLÜSSE	26
UNTER- / AUFTISCHMONTAGE	27
PFLEGE, WARTUNG UND REPARATUR	27
ABMESSUNGEN	28
TECHNISCHE DATEN	29
ENTSORGUNG	31
HERSTELLERERKLÄRUNGEN	31

## FRANCAIS

INFORMATIONS SUR CE MODE D'EMPLOI	32
UTILISATION RÉGLEMENTÉE	32
EXPLICATIONS DES TERMES ET DES SYMBOLES	32
CONSIGNES DE SÉCURITÉ	33
NOTES POUR L'ÉQUIPEMENT	
D'INSTALLATION À L'INTÉRIEUR	35
CONTENU DU CARTON	36
INTRODUCTION	36
BRANCHEMENTS, UTILISATION ET INDICATEURS	37
EXEMPLES DE CONNEXION	39
CONTACTS CONNECTEURS EUROBLOCK	40
MONTAGE SOUS / SUR TABLE	41
ENTRETIEN, MAINTENANCE ET RÉPARATION	41
DIMENSIONS	42
CARACTÉRISTIQUES TECHNIQUES	43
MISE EN DÉCHETTERIE	45
DÉCLARATIONS DU FABRICANT	45

## ESPAÑOL

INFORMACIÓN SOBRE ESTAS	
INSTRUCCIONES DE USO	46
USO CONFORME A LA NORMATIVA	46
EXPLICACIONES DE TÉRMINOS Y SÍMBOLOS	46
INSTRUCCIONES DE SEGURIDAD	47
NOTAS PARA LOS EQUIPOS	
DE INSTALACIÓN EN INTERIORES	49
ELEMENTOS SUMINISTRADOS	50
INTRODUCCIÓN	50
CONEXIONES, CONTROLES E INDICADORES	51
EJEMPLOS DE CONEXIÓN	53
CONEXIONES DEL BLOQUE DE TERMINALES	54
MONTAJE DEBAJO / SOBRE LA MESA	54
CUIDADO, MANTENIMIENTO Y REPARACIÓN	55
DIMENSIONES	56
CARACTERÍSTICAS TÉCNICAS	56
DISPOSICIÓN	58
DECLARACIONES DEL FABRICANTE	58

## **POLSKI**

INFORMACJE DOTYCZĄCE NINIEJSZEJ INSTRUKCJI OBSŁUGI	59
STOSOWANIE ZGODNIE Z PRZEPISAMI	59
OBJAŚNIENIA TERMINÓW I SYMBOLI	59
INSTRUKCJE BEZPIECZEŃSTWA	60
UWAGI DOTYCZĄCE SPRZĘTU	
DO INSTALACJI WEWNĘTRZNYCH	62
ZAKRES DOSTAWY	63
WPROWADZENIE	63
PRZYŁĄCZA, ELEMENTY OBSŁUGI I WSKAŹNIKI	64
PRZYKŁADY POŁĄCZEŃ	66
POŁĄCZENIA LISTWY ZACISKOWEJ	67
MONTAŻ POD / NA BŁACIE	67
PIELĘGNACJA, KONSERWACJA I NAPRAWA	68
WYMIARY	69
DANE TECHNICZNE	69
DYSPOZYCJA	71
OŚWIADCZENIA PRODUCENTA	71

## **ITALIANO**

INFORMAZIONI SU QUESTE ISTRUZIONI PER L'USO	72
UTILIZZO IN CONFORMITÀ ALLE NORMATIVE	72
SPIEGAZIONI DI TERMINI E SIMBOLI	72
ISTRUZIONI DI SICUREZZA	73
NOTE PER LE APPARECCHIATURE	
DI INSTALLAZIONE ALL'INTERNO	75
DOTAZIONE	76
INTRODUZIONE	76
CONNESSIONI, ELEMENTI DI COMANDO E INDICATORI	77
ESEMPI DI CONNESSIONE	79
COLLEGAMENTI A MORSETTIERA	80
MONTAGGIO SOTTO/SU TAVOLO	80
CURA, MANUTENZIONE E RIPARAZIONE	81
DIMENSIONI	82
DATI TECNICI	82
SMALTIMENTO	84
DICHIARAZIONI DEL PRODUTTORE	84

## YOU MADE THE RIGHT CHOICE!

This device was developed and manufactured under high quality requirements to ensure many years of trouble-free operation. This is what LD Systems stands for with its name and many years of experience as a manufacturer of high-quality audio products. Please read these operating instructions carefully so that you can quickly and optimally use your new LD Systems product.

You can find more information about **LD Systems** on our website [WWW.LD-SYSTEMS.COM](http://WWW.LD-SYSTEMS.COM)

## ABOUT THIS MANUAL

- Read the safety instructions and the entire manual carefully before commissioning.
- Observe the warnings on the unit and in the operating instructions.
- Always keep the operating instructions within reach.
- If you sell or pass on the appliance, be sure to hand over these operating instructions as well, as they are an essential part of the product.

## INTENDED USE

The product is a device for professional audio installation! The product has been developed for professional use in the field of audio installation and is not intended for use in households! Furthermore, this product is intended for installation by qualified persons with specialist knowledge and for operation by instructed persons! The use of the product outside the specified technical data and operating conditions is considered as not intended! Liability for damages and third party damages to persons and property due to non-intended use is excluded!

The product is not suitable for:

- Persons (including children) with limited physical, sensory or mental capabilities or lack of experience and knowledge.
- Children (children must be instructed not to play with the device).

## EXPLANATIONS OF TERMS AND SYMBOLS

1. **DANGER:** The word DANGER, possibly in combination with a symbol, indicates immediately dangerous situations or conditions for life and limb.
2. **WARNING:** The word WARNING, possibly in combination with a symbol, indicates potentially dangerous situations or conditions for life and limb.
3. **CAUTION:** The word CAUTION, possibly in combination with a symbol, is used to indicate situations or conditions that may lead to injury.
4. **ATTENTION:** The word ATTENTION, possibly in combination with a symbol, refers to situations or states that can lead to damage to property and/or the environment.



This symbol indicates hazards that can cause an electric shock.



This symbol indicates danger spots or dangerous situations.



This symbol indicates danger from hot surfaces.



This symbol indicates danger from high volumes.



This symbol indicates supplementary information on the operation of the product.



This symbol denotes a device that does not contain any user-serviceable parts.



This symbol indicates electrical equipment designed primarily for indoor use.

## SAFETY INSTRUCTIONS



### DANGER:

1. Do not open or modify the device.
2. If your device is no longer working properly, liquids or objects have gotten inside the device, or the device has been damaged in any other way, switch it off immediately and disconnect it from the power supply. This device may only be repaired by authorized specialist personnel.
3. For devices of protection class 1, the protective conductor must be connected correctly. Never interrupt the protective conductor. Protection class 2 devices do not have a protective conductor.
4. Ensure that live cables are not kinked or otherwise mechanically damaged.
5. Never bypass the device fuse.



### WARNING:

1. The device must not be put into operation if it shows obvious signs of damage.
2. The device may only be installed in a voltage-free state.
3. If the power cord of the device is damaged, the device must not be put into operation.
4. Permanently connected power cords may only be replaced by a qualified person.

**DANGER:**

1. Do not operate the device if it has been exposed to severe temperature fluctuations (e.g. after transport). Humidity and condensation could damage the device. Do not switch on the device until it has reached the ambient temperature.
2. Make sure that the voltage and frequency of the mains supply correspond to the values indicated on the device. If the device has a voltage selector switch, do not connect the device until this is set correctly. Only use suitable power cords.
3. To disconnect the device from the mains at all poles, it is not enough to press the on/off switch on the device.
4. Ensure that the fuse used corresponds to the type printed on the device.
5. Make sure that appropriate measures against overvoltage (e.g. lightning) have been taken.
6. Note the specified maximum output current on devices with a power out connection. Make sure that the total power consumption of all connected devices does not exceed the specified value.
7. Only replace pluggable power cords with original cables.

**DANGER:**

1. Danger of suffocation! Plastic bags and small parts must be kept out of the reach of people (including children) with reduced physical, sensory or mental abilities.
2. Danger from falling! Make sure the device is installed securely and cannot fall. Only use suitable tripods or attachments (especially for fixed installations). Make sure accessories are properly installed and secured. Make sure that the applicable safety regulations are observed.

**WARNING:**

1. Only use the device in the manner intended.
2. Only operate the device with the accessories recommended and intended by the manufacturer.
3. During installation, observe the safety regulations applicable in your country.
4. After connecting the unit, check all cable routes to avoid damage or accidents, e.g. due to tripping hazards.
5. Be sure to observe the specified minimum distance to normally flammable materials! Unless this is explicitly stated, the minimum distance is 0.3 m.

**ATTENTION:**

1. There is a risk of jamming with moving components such as mounting brackets or other moving components.
2. In the case of units with motor-driven components, there is a risk of injury from the movement of the unit. Sudden device movement can cause shockreactions.

**DANGER:**

1. Do not install or operate the device near radiators, heat registers, stoves or other heat sources. Make sure that the device is always installed in such a way that it is sufficiently cooled and cannot overheat.
2. Do not place any sources of ignition such as burning candles near the device.
3. Ventilation openings must not be covered and fans must not be blocked.
4. Use the original packaging or packaging provided by the manufacturer for transport.
5. Avoid shock or shock to the device.
6. Observe the IP protection class and the environmental conditions such as temperature and humidity according to the specification.
7. Devices can be continuously developed. In the event of deviating information on operating conditions, performance or other device properties between the operating instructions and the device labeling, the information on the device always has priority.
8. The device is not suitable for tropical climate zones and for operation above 2000 m above sea level.

**ATTENTION:**

Connecting signal cables can result in significant noise interference. Make sure that devices connected to the output are muted during plugging. Otherwise, noise levels can cause damage.

**ATTENTION HIGH VOLUMES WITH AUDIO PRODUCTS!**

This device is intended for professional use.

The commercial operation of this device is subject to the applicable national regulations and guidelines for accident prevention.

Hearing damage due to high volumes and continuous exposure: The use of this product can generate high sound pressure levels (SPL) which can cause hearing damage. Avoid exposure to high volumes.

**NOTES FOR INDOOR INSTALLATION EQUIPMENT**

1. Units for installation applications are designed for continuous operation.
2. Units for indoor installation are not weatherproof.
3. Surfaces and plastic parts of installation equipment can also age, e.g. due to UV radiation and temperature fluctuations. This does not usually lead to functional restrictions.
4. with permanently installed units, the deposition of impurities, e.g. dust, is to be expected. Be sure to observe the care instructions.
5. Unless explicitly stated otherwise on the unit, the units are intended for installation heights of less than 5 m.

## PACKAGING CONTENT

Remove the product from the packaging and remove all packaging material. Please check the completeness and integrity of the delivery and notify your distribution partner immediately after purchase if the delivery is not complete or if it is damaged.

Included in the product packaging are:

- 1 x HPA2 headphone amplifier
- 1 x power supply unit
- 1 set of terminal blocks
- 1 mounting set for on-table or under-table mounting
- 1 set of rubber feet (pre-assembled)
- User manual

## INTRODUCTION

Part of the TICA® series, the HPA 2 is a two-channel headphone amplifier designed to make monitoring flexible and easy.

The two stereo line inputs have independent gain control. Connect using standard ¼" (6.35 mm) TRS jacks, terminal block connections.

The HPA 2 comes with two headphone outputs and two line outputs using ¼" (6.35 mm) TRS jacks and two 3.5 mm headphone outputs connected in parallel to these. Daisy chain multiple units together for group listening environments. Input signal and clip LEDs help you keep everything in check.

The configuration switches let two people listen to the same stereo signal with independent volume control, or listen to independent mono signals per headphone channel, acting as two independent headphone amplifiers. Further options let you configure the volume knobs for individual headphone volume control or configure one knob for global headphone volume control and the other as a separate monitor output level control.

The HPA 2 works with high impedance headphones and very low impedances down to 16 Ohms. Its capacitor-free output stage means that the frequency response is not affected no matter what type of headphones you use – low or high impedance.

Its tiny (106 x 53 x 225 mm) form factor and included mounting plates allow it to be installed discreetly. Alternatively, it fits into ¼ 19 inch rack. Use the optional rack tray to slot up to four TICA® series products alongside each other and build a system to your exact requirements, using minimal rack space.

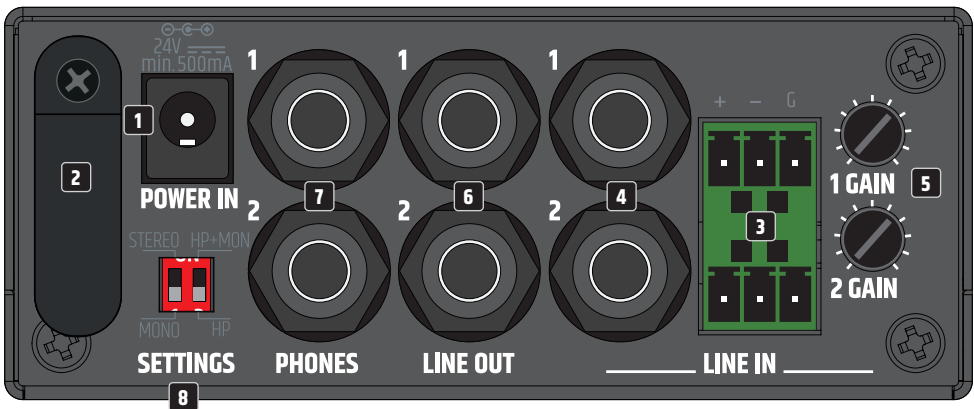
A great monitoring solution for audio professionals.

## FEATURES

- Two channel headphone amplifier
- Two balanced line inputs with independent gain controls
- Two balanced line level outputs
- Signal and clip LEDs on each channel
- Suitable for both low and high impedance headphones
- External 100 – 240V power supply



## CONNECTIONS, OPERATING AND DISPLAY ELEMENTS



### 1 POWER IN

Low-voltage socket for supplying power to the device. To avoid damage to the device, please use only the original power supply (power supply unit included).

### 2 STRAIN RELIEF

Use the strain relief for the flexible cable of the power supply unit to protect the extra-low voltage socket, the extra-low voltage plug and the cable of the power supply unit from damage and to prevent the plug from being pulled out unintentionally.

### 3 LINE IN 1 + 2

Analogue audio inputs with balanced terminal block connections. The +, - and G poles are for the balanced input signal (suitable for unbalanced cabling). Terminal blocks are included in the packaging content. Only use the inputs with the terminal strip connections and the jack sockets alternatively.

### 4 LINE IN 1 + 2

Analogue audio inputs with balanced 6.3 mm jack sockets. Only use the inputs with the terminal strip connections and the jack sockets alternatively.

### 5 GAIN 1 + 2

Potentiometer for the input sensitivity of the line inputs LINE IN 1 and 2.

### 6 LINE OUT 1 + 2

Analogue audio outputs with balanced 6.3 mm jack sockets.

### 7 HEADPHONES 1 + 2

Headphone outputs with 6.3 mm stereo jack sockets. The 6.3 mm sockets on the rear are wired in parallel with the 3.5 mm sockets on the front and can be used together if necessary. Make sure that the total impedance of the headphones used in parallel does not fall below 16 ohms.

## 8 SETTINGS

### Switch 1 STEREO / MONO

**STEREO:** A stereo signal present at LINE IN is routed to in stereo at the headphone outputs on the rear and front panel and at the line output LINE OUT 1 / 2.

**MONO:** A stereo signal present at LINE IN is summed mono at the headphone outputs on the rear and front panel. Line output LINE OUT 1 / 2 is stereo.

### Switch 2 HP+MON / HP

**HP+MON:** A signal applied to LINE IN is routed to to the headphone outputs on the rear and front panel and to LINE OUT (e.g. for driving active studio monitors). The volume of PHONES 1 and 2 is adjusted with VOLUME 1 on the front panel, the volume of LINE OUT 1 / 2 with VOLUME 2.

**HP:** A signal applied to LINE IN is routed to the headphone outputs on the rear and front and to LINE OUT 1 / 2. The volume of PHONES 1 is adjusted with VOLUME 1 on the front panel, the volume of PHONES 2 with VOLUME 2. The Line output level is not affected by any volume control.



## 9 ON / OFF SWITCH AND POWER SYMBOL

Press the push button to switch the device on and again to switch it off. As soon as the HPA2 is correctly connected to the power supply and switched on, the power symbol lights up white.

## 10 HEADPHONES 1 + 2

Headphone outputs with 3.5 mm stereo jack sockets. The 6.3 mm sockets on the rear are wired in parallel with the 3.5 mm sockets on the front and can be used together if necessary. Make sure that the total impedance of the headphones used in parallel does not fall below 16 ohms.

## 11 VOLUME 1 + 2

Depending on the setting of the Settings switch on the back, the level controls have different functions. SETTINGS - HP: One level control each for headphone outputs 1 and 2.

SETTINGS - HP+MON: VOLUME 1 controls the volume of the headphone outputs PHONES 1 and 2. VOLUME 2 controls the volume of the LINE OUT output.

Turning to the right increases the volume, turning to the left decreases it.

To avoid hearing damage, set the volume to minimum before using headphones or in-earphones and loudspeakers. Afterwards, increase the volume only slowly.

Caution, high volume can damage hearing permanently.

## 12 SIG 1 + 2 (SIGNAL)

As soon as an audio signal is present at the headphone outputs or the LINE OUT output, the corresponding signal indicator lights up white.

## 13 CLIP 1 + 2

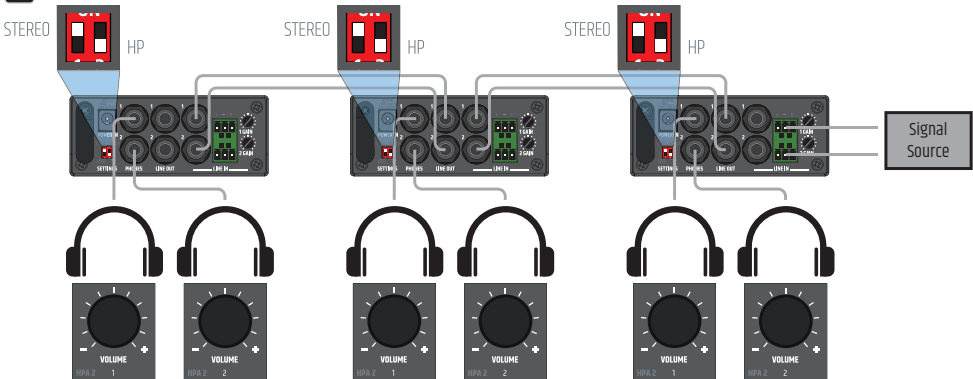
The red CLIP indicator lights up when the corresponding output is overdriven. If this occurs, reduce the volume level. Failure to do so may result in distorted sound reproduction and damage to the amplifier and the headphones or loudspeakers.

## AIR VENTS

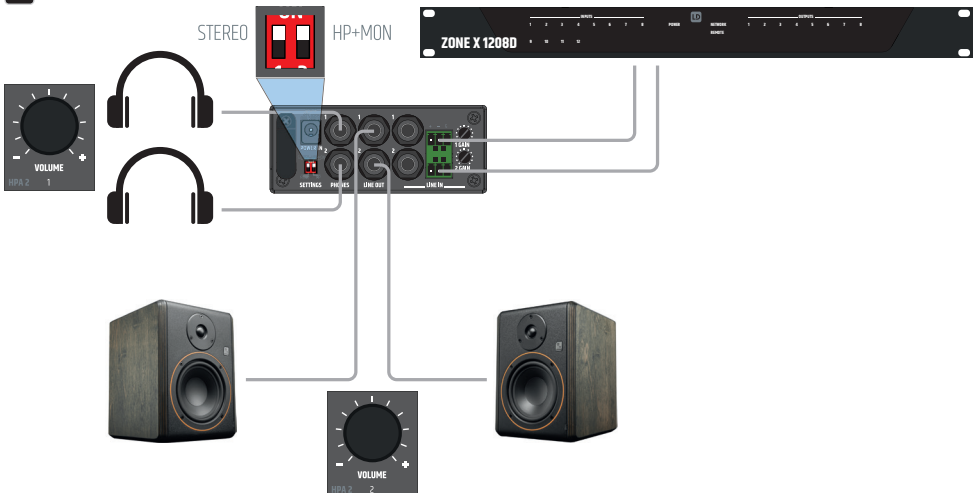
To prevent damage to the device, do not cover the ventilation openings on the left and right sides and on the top and bottom of the device and ensure that air can circulate freely. Covering the ventilation openings on the top or bottom of the enclosure when mounting it underneath or on top of a table is not critical, as the cooling provided by the ventilation openings on the remaining sides is sufficient.

## CONNECTION EXAMPLES

### 1

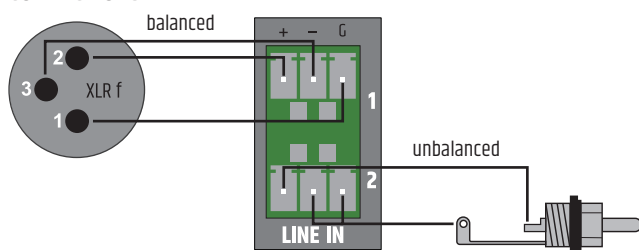


### 2



## TERMINAL STRIP CONNECTIONS

### CONNECTIONS LINE IN



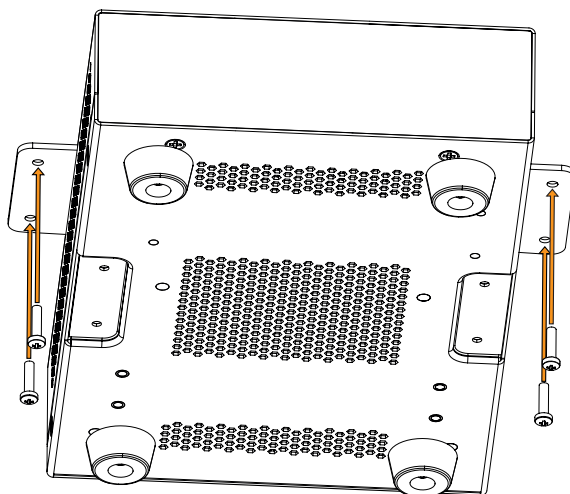
**ATTENTION:** When wiring terminal blocks, please observe the correct assignment of the poles/terminals. The manufacturer accepts no liability for damage caused by faulty wiring!



**Tip:** For wiring analogue line inputs and outputs it is preferable to use balanced audio cables.

## UNDER / ON-TABLE MOUNTING

There are two recesses on the top and bottom of the enclosure, each with two M3 threaded holes, for mounting underneath or on top of the table. Screw the two enclosed mounting plates to the top or bottom using the enclosed M3 countersunk screws. Now the amplifier can be fixed in the desired position (see illustration, fixing screws not included). For tabletop mounting, the four rubber feet must be removed beforehand.



## CARE, MAINTENANCE AND REPAIR

To ensure the proper functioning of the unit in the long term, it must be cared for regularly and serviced as required. The need for care and maintenance depends on the intensity of use and the environment.

We generally recommend a visual inspection before each start-up. Furthermore, we recommend that you carry out all the maintenance measures listed below every 500 operating hours or, in the case of low intensity of use, after one year at the latest. Defects caused by inadequate care may result in limitations of the warranty claims.

### CARE (CAN BE CARRIED OUT BY THE USER)



**WARNING!** Before carrying out any maintenance work, disconnect the power supply and, if possible, all appliance connections.



**NOTE!** Improper care can lead to impairment or even destruction of the unit.

1. Housing surfaces must be cleaned with a clean, damp cloth. Make sure that no moisture can penetrate the unit.
2. Air inlets and outlets must be regularly cleaned of dust and dirt. If compressed air is used, make sure that damage to the unit is prevented (e.g. fans must be blocked in this case).
3. Cables and plug contacts must be cleaned regularly and freed from dust and dirt.
4. In general, no cleaning agents, disinfectants or agents with an abrasive effect may be used for maintenance, otherwise the surface finish may be impaired. Especially solvents, such as alcohol, can impair the function of the housing seals.
5. Units should generally be stored in a dry place and protected from dust and dirt.

### MAINTENANCE AND REPAIR (BY QUALIFIED PERSONNEL ONLY)



**DANGER!** There are live components in the device. Even after disconnecting the mains connection, there may still be residual voltage in the device due, for example, to charged capacitors.



**PLEASE NOTE!** There are no user-serviceable assemblies in the device.



**PLEASE NOTE!** Maintenance and repair work may only be carried out by sufficiently qualified specialist personnel. If in doubt, consult a specialist workshop.

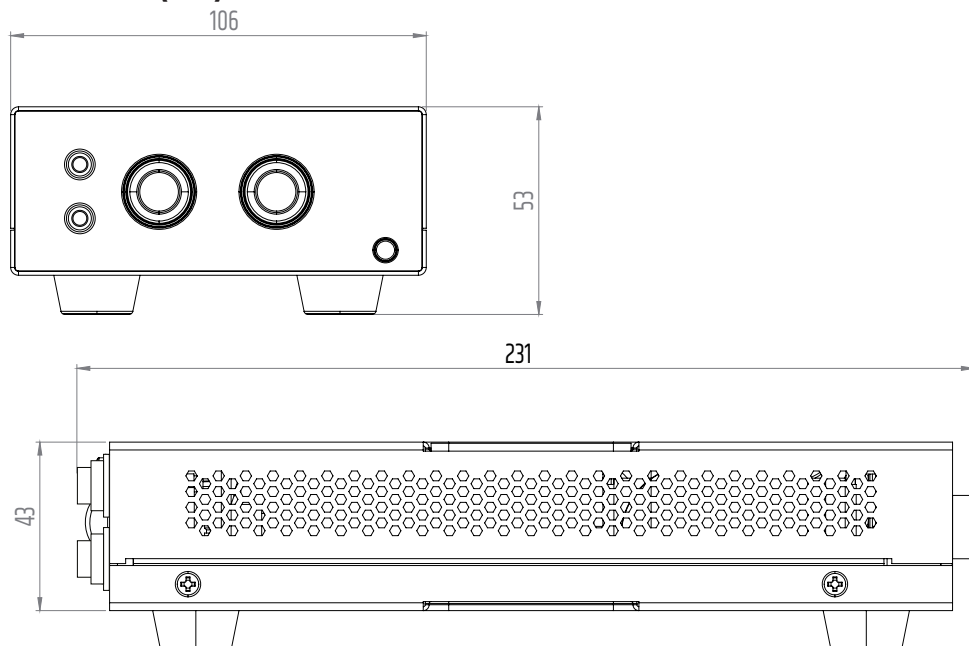


**PLEASE NOTE!** Improperly performed maintenance work may affect warranty claims.



**PLEASE NOTE!** For conversion or retrofit sets provided by the manufacturer, it is essential to observe the enclosed installation instructions.

## DIMENSIONS (mm)



## TECHNICAL DATA

Item number	LDHPA2
Product type	Installation Dual Headphone Amplifier
Line inputs	2
Line input connectors	Balanced line inputs, pitch 3.81 mm terminal block (3-pin) / 2 x 6.3 mm (1/4") TRS
Line outputs	2
Powered outputs	2 Stereo
Cooling system	Convection cooling
Priority levels	1
<b>Input Section</b>	
Nominal input sensitivity	-9 dBu
Nominal input clipping	17 dBu
THD+N	< 0.03%
Input Impedance	15 kOhms (balanced)
SNR	> 100 dB (HP1/2 OUT, 14 dBu, 20 kHz BW, A-weighted)
CMRR	> 50 dB
Gain	Max. 12 dB

Item number	LDHPA2
<b>Line Output</b>	
Type	Balanced
Output Modes	Stereo/Mono, HP/HP+MON
Line Out Connector	2 x 6.3 mm (1/4") TRS
Max. Line Output Level	15 dBu
Frequency response	18 Hz – 50 kHz (-0,5 dB)
<b>Headphone Amplifier Output</b>	
Type	Capless Output
Output Modes	Stereo/Mono, HP/HP+MON
HP Out Connector	2 x 6.3 mm (1/4") TRS or 2 x 3.5 mm (1/8") TRS
RMS output power	2 x 75 mW @ 33 Ohm
Minimum Load Impedance	16 Ohms
Frequency response	18 Hz – 50 kHz (-0,5 dB)
<b>Power Supply</b>	
Type	External SMPS
Voltage Range	100 VAC – 240 VAC (+-10%), 50 – 60 Hz
Mains fuse	None
Secondary Voltage	24 V DC
Secondary Current	0.5 A
Secondary Connector	Barrel Connector 5.5mm / "+" Inside
Primary Connector	Ext. Power Supply Interchangeable Plug
Safety Class	Class 3
Max power consumption	5 W (sine 1 kHz with 2 x 33 Ohm load)
Idle power consumption	3.5 W (no signal input)
Standby power consumption	< 1 W
Mains Inrush Current	1.7 A @ 230 VAC
Operating Temperature	0°C – 40°C; < 85% humidity, non condensing
<b>General</b>	
Time to standby	N.A.
Material	Steel chassis, Plastic Front panel
Dimensions (W x H x D)	106 (W) x 53 (H) x 225 (D) mm (height with rubber feet)
Weight	0.850 kg
Included Accessories	External power supply with Interchangeable Plugs, Mounting plates for surface mount applications, Terminal blocks for Electrical Connections

## DISPOSAL



### Packaging:

1. Packaging can be fed into the reusable material cycle using the usual disposal methods.
2. Please separate the packaging in accordance with the disposal laws and recycling regulations in your country.



### Device:

1. This device is subject to the European Directive on Waste Electrical and Electronic Equipment, as amended. WEEE Directive Waste Electrical and Electronic Equipment. Old devices and batteries can not be disposed of in household waste. The old device or batteries must be disposed of via an authorised waste disposal company or a municipal waste disposal facility. Please observe the applicable regulations in your country!
2. Observe all disposal laws applicable in your country.
3. As a private customer, you can obtain information on environmentally-friendly disposal options from the seller of the product or the appropriate regional authorities.



## MANUFACTURER'S DECLARATIONS

### MANUFACTURER'S WARRANTY & LIMITATION OF LIABILITY

Adam Hall GmbH, Adam-Hall-Str. 1, D-61267 Neu Anspach / E-Mail [Info@adamhall.com](mailto:Info@adamhall.com) / +49 (0)6081 / 9419-0.

Our current warranty conditions and limitation of liability can be found at:

[https://cdn-shop.adamhall.com/media/pdf/MANUFACTURERS-DECLARATIONS\\_LD\\_SYSTEMS.pdf](https://cdn-shop.adamhall.com/media/pdf/MANUFACTURERS-DECLARATIONS_LD_SYSTEMS.pdf).

In case of service, please contact your sales partner.

### UKCA-CONFORMITY

Hereby, Adam Hall Ltd. declares that this product meets the following guidelines (where applicable)

Electrical Equipment (Safety) Regulations 2016

Electromagnetic Compatibility Regulations 2016 (SI 2016/1091)

The Restriction of the Use of Certain Hazardous Substances in Electrical and Electronic Equipment Regulation 2012 (SI 2012/3032)

Radio Equipment Regulations 2017 (SI 2016/2015)

### UKCA-DECLARATION OF CONFORMITY

Products that are subject to Electrical Equipment(Safety)Regulation 2016, EMC Regulation 2016 or RoHS Regulation can be requested at [info@adamhall.com](mailto:info@adamhall.com). Products that are subject to the Radio Equipments Regulations 2017 (SI2017/1206) can be downloaded from

[www.adamhall.com/compliance/](http://www.adamhall.com/compliance/)

### CE CONFORMITY

Adam Hall GmbH hereby confirm that this product meets the following guidelines (where applicable):

R&TTE (1999/5/EC) or RED (2014/53/EU) as of June 2017.

Low Voltage Directive (2014/35/EU)

EMC Directive (2014/30/EU)

RoHS (2011/65/EU)

The complete Declaration of Conformity can be found at [www.adamhall.com](http://www.adamhall.com).

Furthermore, you can also request it at [info@adamhall.com](mailto:info@adamhall.com).

### CE DECLARATION OF CONFORMITY

Declarations of conformity for products subject to the LVD, EMC, RoHS Directive can be requested from [info@adamhall.com](mailto:info@adamhall.com).

Declarations of conformity for products subject to RED Directive can be downloaded from [www.adamhall.com/compliance/](http://www.adamhall.com/compliance/).

## SIE HABEN DIE RICHTIGE WAHL GETROFFEN!

Dieses Gerät wurde unter hohen Qualitätsanforderungen entwickelt und gefertigt, um viele Jahre einen reibungslosen Betrieb zu gewährleisten. Dafür steht LD Systems mit seinem Namen und der langjährigen Erfahrung als Hersteller hochwertiger Audioprodukte. Bitte lesen Sie diese Bedienungsanleitung sorgfältig, damit Sie Ihr neues Produkt von LD Systems schnell optimal einsetzen können. Mehr Informationen zu **LD Systems** finden Sie auf unserer Internetseite [WWW.LD-SYSTEMS.COM](http://WWW.LD-SYSTEMS.COM)

## INFORMATIONEN ZU DIESER BEDIENUNGSANLEITUNG

- Lesen Sie vor Inbetriebnahme die Sicherheitshinweise und die gesamte Anleitung aufmerksam durch.
- Beachten Sie die Warnungen auf dem Gerät und in der Bedienungsanleitung.
- Bewahren Sie die Bedienungsanleitung immer in Reichweite auf.
- Wenn Sie das Gerät verkaufen oder weitergeben, händigen Sie unbedingt auch diese Bedienungsanleitung aus, da sie ein wesentlicher Bestandteil des Produkts ist.

## BESTIMMUNGSGEMÄSSER GEBRAUCH

Bei dem Produkt handelt es sich um ein Gerät für professionelle Audioinstallation!

Das Produkt ist für den professionellen Einsatz im Bereich der Audioinstallation entwickelt worden und ist nicht für die Verwendung in Haushalten vorgesehen!

Weiterhin ist dieses Produkt zur Installation durch qualifizierte Personen mit Fachkenntnissen, sowie zur Bedienung durch unterwiesene Personen vorgesehen!

Die Benutzung des Produkts außerhalb der spezifizierten technischen Daten und Betriebsbedingungen gilt als nicht bestimmungsgemäß!

Haftung für Schäden und Drittschäden an Personen und Sachen durch nicht bestimmungsgemäßen Gebrauch ist ausgeschlossen!

Das Produkt ist nicht geeignet für:

- Personen (einschließlich Kinder) mit eingeschränkten körperlichen, sensorischen oder geistigen Fähigkeiten oder mangelnder Erfahrung und Kenntnis.
- Kinder (Kinder müssen angewiesen werden, nicht mit dem Gerät zu spielen).

## BEGRIFFS- UND SYMBOLERKLÄRUNGEN

1. **GEFAHR:** Mit dem Wort GEFAHR, evtl. in Kombination mit einem Symbol, wird auf unmittelbar gefährliche Situationen oder Zustände für Leib und Leben hingewiesen.
2. **WARNUNG:** Mit dem Wort WARNUNG, evtl. in Kombination mit einem Symbol, wird auf potentiell gefährliche Situationen oder Zustände für Leib und Leben hingewiesen.
3. **VORSICHT:** Mit dem Wort VORSICHT, evtl. in Kombination mit einem Symbol, wird auf Situationen oder Zustände hingewiesen, die zu Verletzungen führen können.
4. **ACHTUNG:** Mit dem Wort ACHTUNG, evtl. in Kombination mit einem Symbol, wird auf Situationen oder Zustände hingewiesen, die zu Sach- und/oder Umweltschäden führen können.



Dieses Symbol kennzeichnet Gefahren, die einen elektrischen Schlag verursachen können.



Dieses Symbol kennzeichnet Gefahrenstellen oder gefährliche Situationen.



Dieses Symbol kennzeichnet Gefahren durch heiße Oberflächen.



Dieses Symbol kennzeichnet Gefahren durch hohe Lautstärken.



Dieses Symbol kennzeichnet ergänzende Informationen zur Bedienung des Produkts.



Dieses Symbol kennzeichnet ein Gerät, in dem sich keine vom Benutzer austauschbaren Teile befinden.



Dieses Symbol kennzeichnet ein Gerät, das nur in trockenen Räumen verwendet werden darf.

## SICHERHEITSHINWEISE



### GEFAHR:

1. Öffnen Sie das Gerät nicht und verändern Sie es nicht.
2. Wenn Ihr Gerät nicht mehr ordnungsgemäß funktioniert, Flüssigkeiten oder Gegenstände in das Geräteinnere gelangt sind, oder das Gerät anderweitig beschädigt wurde, schalten Sie es sofort aus und trennen es von der Spannungsversorgung. Dieses Gerät darf nur von autorisiertem Fachpersonal repariert werden.
3. Bei Geräten der Schutzklasse 1 muss der Schutzleiter korrekt angeschlossen werden. Unterbrechen Sie niemals den Schutzleiter. Geräte der Schutzklasse 2 haben keinen Schutzleiter.
4. Sorgen Sie dafür, dass spannungsführende Kabel nicht geknickt oder anderweitig mechanisch beschädigt werden.
5. Überbrücken Sie niemals die Gerätesicherung.



### WARNUNG:

1. Das Gerät darf nicht in Betrieb genommen werden, wenn es offensichtliche Beschädigungen aufweist.
2. Das Gerät darf nur im spannungsfreien Zustand installiert werden.
3. Wenn das Netzkabel des Geräts beschädigt ist, darf das Gerät nicht in Betrieb genommen werden.
4. Fest angeschlossene Netzleitungen dürfen nur von einer qualifizierten Person ersetzt werden.

**ACHTUNG:**

1. Nehmen Sie das Gerät nicht in Betrieb, wenn es starken Temperaturschwankungen ausgesetzt war (beispielsweise nach dem Transport). Feuchtigkeit und Kondensat könnten das Gerät beschädigen. Schalten Sie das Gerät erst ein, wenn es Umgebungstemperatur erreicht hat.
2. Stellen Sie sicher, dass die Spannung und die Frequenz des Stromnetzes mit den auf dem Gerät angegebenen Werten übereinstimmen. Verfügt das Gerät über einen Spannungswahlschalter, schließen Sie das Gerät erst an, wenn dieser korrekt eingestellt ist. Nutzen Sie nur geeignete Netzkabel.
3. Um das Gerät allpolig vom Netz zu trennen genügt es nicht, den Ein-/Aus-Schalter am Gerät zu betätigen.
4. Stellen Sie sicher, dass die eingesetzte Sicherung dem auf dem Gerät abgedruckten Typ entspricht.
5. Stellen Sie sicher, dass geeignete Maßnahmen gegen Überspannung (z.B. Blitzschlag) ergriffen wurden.
6. Beachten Sie den angegebenen maximalen Ausgangsstrom an Geräten mit Power Out Anschluss. Beachten Sie, dass die gesamte Stromaufnahme aller angeschlossenen Geräte den vorgegebenen Wert nicht überschreitet.
7. Ersetzen Sie steckbare Netzleitungen nur durch Originalleitungen.

**GEFAHR:**

1. Erstickungsgefahr! Kunststoffbeutel und Kleinteile müssen außer Reichweite von Personen (einschließlich Kindern) mit eingeschränkten körperlichen, sensorischen oder geistigen Fähigkeiten aufbewahrt werden.
2. Gefahr durch Herabfallen! Stellen Sie sicher, dass das Gerät sicher installiert ist und nicht herunterfallen kann. Verwenden Sie ausschließlich geeignete Stative bzw. Befestigungen (im Besonderen bei Festinstallationen). Stellen Sie sicher, dass Zubehör ordnungsgemäß installiert und gesichert ist. Achten Sie dabei darauf, dass geltende Sicherheitsbestimmungen eingehalten werden.

**WARNING:**

1. Verwenden Sie das Gerät nur in der vorgesehenen Art und Weise.
2. Betreiben Sie das Gerät nur mit dem vom Hersteller empfohlenen und vorgesehenen Zubehör.
3. Beachten Sie bei der Installation die für Ihr Land geltenden Sicherheitsvorschriften.
4. Überprüfen Sie nach dem Anschluss des Geräts alle Kabelwege, um Schäden oder Unfälle, z. B. durch Stolperfallen zu vermeiden.
5. Beachten Sie unbedingt den angegebenen Mindestabstand zu normal entflammaren Materialien! Sofern dieser nicht explizit ausgewiesen ist, beträgt der Mindestabstand 0,3 m.

**VORSICHT:**

1. Bei beweglichen Bauteilen wie Montagebügeln, oder sonstigen beweglichen Bauteilen besteht die Möglichkeit sich zu klemmen.
2. Bei Geräten mit motorisch angetriebenen Bauteilen besteht Verletzungsgefahr durch die Bewegung des Gerätes. Plötzliche Gerätebewegungen können zu Schreckreaktionen führen.

**ACHTUNG:**

1. Installieren und betreiben Sie das Gerät nicht in der Nähe von Heizkörpern, Wärmespeichern, Öfen oder sonstigen Wärmequellen. Sorgen Sie dafür, dass das Gerät immer so installiert ist, dass es ausreichend gekühlt wird und nicht überhitzen kann.
2. Platzieren Sie keine Zündquellen wie z.B. brennende Kerzen in der Nähe des Geräts.
3. Lüftungsöffnungen dürfen nicht abgedeckt und Lüfter nicht blockiert werden.
4. Nutzen Sie zum Transport die Originalverpackung oder vom Hersteller dafür vorgesehene Verpackungen.
5. Vermeiden Sie, dass Erschütterung oder Schläge auf das Gerät einwirken.
6. Beachten sie die IP-Schutzart, sowie die Umgebungsbedingungen wie Temperatur und Luftfeuchtigkeit entsprechend der Spezifizierung.
7. Geräte können stetig weiterentwickelt werden. Bei abweichenden Angaben zu Betriebsbedingungen, Leistung oder sonstigen Geräteeigenschaften zwischen Bedienungsanleitung und Gerätebeschriftung, hat immer die Angabe auf dem Gerät Priorität.
8. Das Gerät ist nicht für tropische Klimazonen und für den Betrieb oberhalb 2000 m über NN geeignet.

**VORSICHT:**

Das Anschließen von Signalkabeln kann zu erheblichen Störgeräuschen führen. Achten Sie darauf, dass am Ausgang angeschlossene Geräte bei Steckvorgängen stummgeschaltet sind. Andernfalls können Pegel von Störgeräuschen zu Schäden führen.

**ACHTUNG HOHE LAUTSTÄRKEN BEI AUDIOPRODUKTEN!**

Dieses Gerät ist für den professionellen Einsatz vorgesehen.

Der kommerzielle Betrieb dieses Geräts unterliegt den jeweils gültigen nationalen Vorschriften und Richtlinien zur Unfallverhütung.

Gehörschäden durch hohe Lautstärken und Dauerbelastung: Bei der Verwendung dieses Produkts können hohe Schalldruckpegel (SPL) erzeugt werden, die zu Gehörschäden führen können. Vermeiden Sie die Belastung durch hohe Lautstärken.



## HINWEISE FÜR INDOOR-INSTALLATIONSGERÄTE

1. Geräte für Installationsanwendungen sind für den Dauerbetrieb ausgelegt.
2. Geräte für die Inneninstallation sind nicht witterungsbeständig.
3. Oberflächen sowie Kunststoffteile können auch bei Installationsgeräten, z.B. durch UV-Einstrahlung und Temperaturschwankungen altern. Dies führt i.d.R. nicht zu Funktionseinschränkungen.
4. Bei fest installierten Geräten ist mit der Ablagerung von Verunreinigungen, z.B. Staub, zu rechnen. Beachten Sie unbedingt die Pflegehinweise.
5. Sofern nicht auf dem Gerät explizit anders ausgewiesen, sind die Geräte für Montagehöhen kleiner 5 m vorgesehen.

## LIEFERUMFANG

Entnehmen Sie das Produkt aus der Verpackung und entfernen Sie sämtliches Verpackungsmaterial. Überprüfen Sie die Vollständigkeit und Unversehrtheit der Lieferung und benachrichtigen Sie Ihren Vertriebspartner bitte unverzüglich nach dem Kauf, falls die Lieferung nicht komplett oder beschädigt ist.

Im Lieferumfang des Produkts sind enthalten:

- 1 x HPA2 Kopfhörerverstärker
- 1 x Netzteil
- 1 Satz Klemmleisten
- 1 Montageset für Auf- bzw. Untertischmontage
- 1 Satz Gummifüße (vormontiert)
- Bedienungsanleitung

## EINLEITUNG

Der HPA 2 gehört zur TICA® -Serie und ist ein zweikanaliger Kopfhörerverstärker, der das Abhören flexibel und einfach gestaltet.

Die beiden Line-Eingänge verfügen über eine unabhängige Gain-Regelung. Der Anschluss erfolgt über eine Standard ¼" (6,35 mm) Klinkenbuchse oder einen Euroblock-Klemmanschluss.

Der HPA 2 verfügt über zwei Kopfhörerausgänge – 2 x Miniklinke auf der Vorderseite und 2 x ¼"-Klinke auf der Rückseite – sowie zwei Line-Ausgänge mit ¼"-Klinke. Du kannst mehrere Geräte in Reihe schalten, um in Gruppen zu hören. Eingangssignal- und Clip-Leuchten helfen dir, alles im Blick zu behalten.

Mit den Konfigurationsschaltern können zwei Personen das gleiche Stereosignal oder getrennte Monosignale hören. Durch weitere Optionen kannst du die beiden Lautstärkereglern für die individuelle Kopfhörerlautstärke oder einen Regler als separaten Monitorausgangspegel konfigurieren.

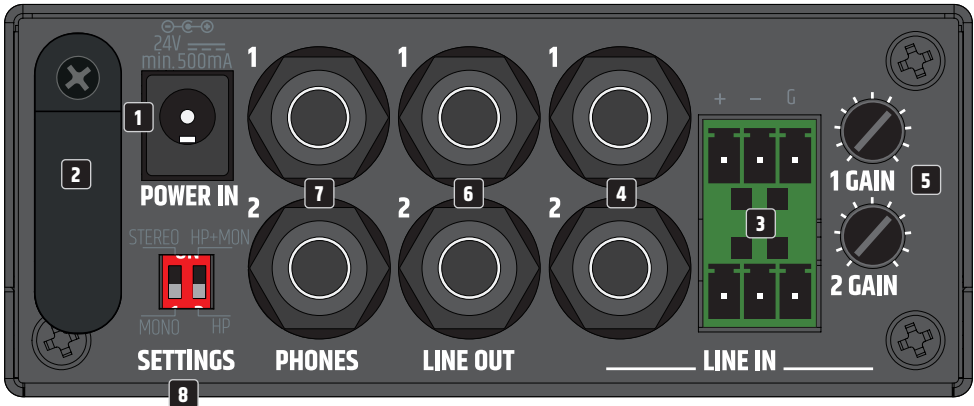
Dank der kompakten Größe von 106 x 53 x 225 mm und der mitgelieferten Montageplatten lässt er sich unauffällig installieren. Alternativ findet er auch in einem ¼ 19-Zoll-Rack Platz. Mit der optionalen Rackwanne kannst du drei Produkte der TICA® Serie nebeneinander platzieren und so ein System zusammenstellen, das genau deinen Anforderungen entspricht und nur wenig Platz im Rack benötigt.

Eine großartige Monitoring-Lösung für alle Audio-Profis.

## FEATURES

- Zweikanal-Kopfhörerverstärker
- Zwei Line-Eingänge mit unabhängigen Gain-Reglern
- Zwei Line-Level-Ausgänge
- 2 x Miniklinke (vorne) und 2 x Klinke (hinten) für Kopfhörer
- Signal- und Clip-Leuchten auf jedem Kanal
- Externe 100 – 240 V Stromversorgung

## ANSCHLÜSSE, BEDIEN- UND ANZEIGEELEMENTE



### 1 POWER IN

Kleinspannungsbuchse zur Spannungsversorgung des Geräts. Um Schäden am Gerät zu vermeiden, verwenden Sie bitte ausschließlich das Original Netzteil (Netzteil im Lieferumfang enthalten).

### 2 ZUGENTLASTUNG

Nutzen Sie die Zugentlastung für das flexible Kabel des Netzteils, um die Kleinspannungsbuchse, den Kleinspannungsstecker und das Kabel des Netzteils vor Beschädigung zu schützen und ein ungewolltes Herausziehen des Steckers zu vermeiden.

### 3 LINE IN 1 + 2

Analoge Audioeingänge mit symmetrischen Klemmleistenanschlüssen. Die Pole +, - und G sind für das symmetrische Eingangssignal vorgesehen (für unsymmetrische Verkabelung geeignet). Klemmleisten sind im Lieferumfang enthalten. Verwenden Sie die Eingänge mit den Klemmleistenanschlüssen und den Klinkenbuchsen ausschließlich alternativ.

### 4 LINE IN 1 + 2

Analoge Audioeingänge mit symmetrischen 6,3 mm Klinkenbuchsen. Verwenden Sie die Eingänge mit den Klemmleistenanschlüssen und den Klinkenbuchsen ausschließlich alternativ.

### 5 GAIN 1 + 2

Potentiometer für die Eingangsempfindlichkeit der Line-Eingänge LINE IN 1 und 2.

**6 LINE OUT 1 + 2**

Analoge Audioausgänge mit symmetrischen 6,3 mm Klinkenbuchsen.

**7 PHONES 1 + 2**

Kopfhörerausgänge mit 6,3 mm Stereo-Klinkenbuchsen. Die 6,3 mm Buchsen auf der Rückseite sind parallel mit den 3,5 mm Buchsen auf der Vorderseite verdrahtet und können bei Bedarf gemeinsam genutzt werden. Achten Sie dabei darauf, dass die Gesamtimpedanz der parallel verwendeten Kopfhörer 16 Ohm nicht unterschreitet.

**8 SETTINGS**

Schalter 1 STEREO / MONO

**STEREO:** Ein an LINE IN anliegendes Stereosignal wird in Stereo an den Kopfhörerausgängen auf der Rück- und Vorderseite und am Line-Ausgang LINE OUT 1 / 2 ausgegeben.

**MONO:** Ein an LINE IN anliegendes Stereosignal wird Mono summiert an den Kopfhörerausgängen auf der Rück- und Vorderseite ausgegeben. Am Line-Ausgang LINE OUT 1 / 2 wird das Signal in Stereo ausgegeben.

Schalter 2 HP+MON / HP

**HP+MON:** Ein an LINE IN anliegendes Signal wird an den Kopfhörerausgängen auf der Rück- und Vorderseite und an LINE OUT ausgegeben (z.B. zum Ansteuern von aktiven Studiomonitoren). Die Lautstärke von PHONES 1 und 2 wird mit VOLUME 1 auf der Vorderseite eingestellt, die Lautstärke von LINE OUT 1 / 2 mit VOLUME 2.

**HP:** in an LINE IN anliegendes Signal wird an den Kopfhörerausgängen auf der Rück- und Vorderseite und an LINE OUT 1 / 2 ausgegeben. Die Lautstärke von PHONES 1 wird mit VOLUME 1 auf der Vorderseite eingestellt, die Lautstärke von PHONES 2 mit VOLUME 2. Der Pegel von LINE OUT 1 / 2 wird dabei durch die Lautstärkereglung nicht beeinflusst.

**9 EIN- / AUSSCHALTER UND POWER-SYMBOL**

Betätigen Sie den Druckschalter, um das Gerät einzuschalten und nochmals, um es wieder auszuschalten. Sobald der HPA2 korrekt an der Spannungsversorgung angeschlossen und eingeschaltet wird, leuchtet das Power-Symbol weiß.



## 10 PHONES 1 + 2

Kopfhörerausgänge mit 3,5 mm Stereo-Klinkenbuchsen. Die 6,3 mm Buchsen auf der Rückseite sind parallel mit den 3,5 mm Buchsen auf der Vorderseite verdrahtet und können bei Bedarf gemeinsam genutzt werden. Achten Sie dabei darauf, dass die Gesamtimpedanz der parallel verwendeten Kopfhörer 16 Ohm nicht unterschreitet.

## 11 VOLUME 1 + 2

Je nach Einstellung des Settings-Schalters auf der Rückseite haben die Pegelsteller unterschiedliche Funktionen.

SETTINGS – HP: Je ein Pegelsteller für die Kopfhörerausgänge 1 und 2.

SETTINGS – HP+MON: Pegelsteller VOLUME 1 regelt die Lautstärke der Kopfhörerausgänge PHONES 1 und 2.

Pegelsteller VOLUME 2 regelt die Lautstärke des Ausgangs LINE OUT.

Drehung nach rechts erhöht die Lautstärke, Drehung nach links senkt sie ab.

Um Gehörschäden zu vermeiden, stellen Sie vor der Benutzung von Kopf-, bzw. In-Ear-Hörern und Lautsprechern die Lautstärke auf ein Minimum. Erhöhen Sie die Lautstärke danach nur langsam.

Vorsicht, hohe Lautstärke kann das Gehör dauerhaft schädigen.

## 12 SIG 1 + 2 (SIGNAL)

Sobald ein Audiosignal an den Kopfhörerausgängen bzw. dem Ausgang LINE OUT anliegt, leuchtet die entsprechende Signal-Anzeige weiß.

## 13 CLIP 1 + 2

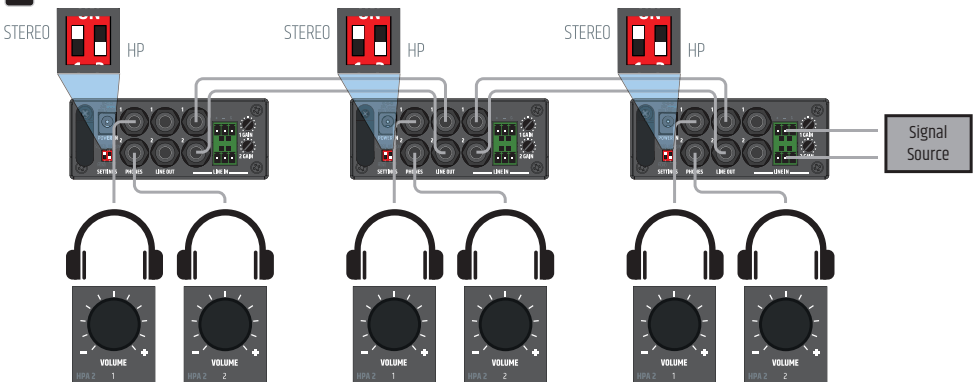
Die rote CLIP-Anzeige leuchtet auf, wenn der entsprechende Ausgang übersteuert wird. Reduzieren Sie in diesem Fall den Lautstärkepegel. Eine Nichtbeachtung kann zu einer verzerrten Klangwiedergabe und zur Beschädigung des Verstärkers und der Kopfhörer bzw. Lautsprecher führen.

## LÜFTUNGSÖFFNUNGEN

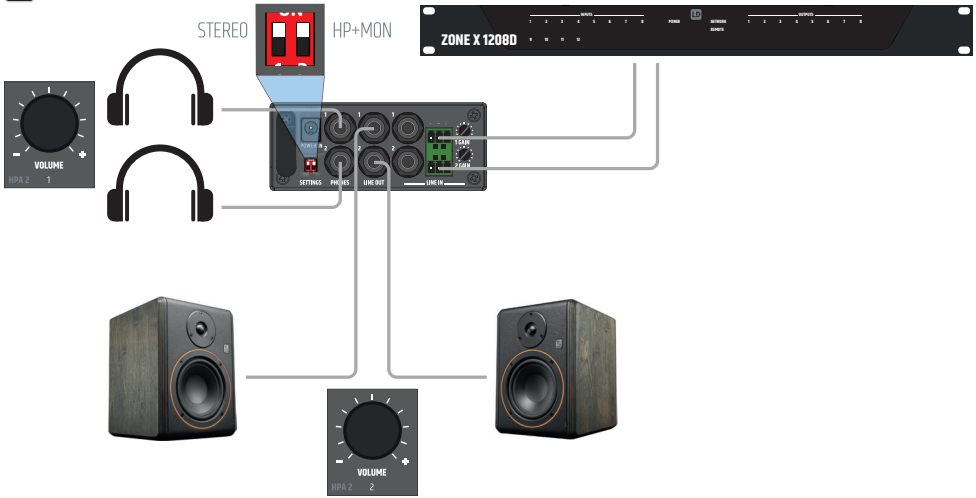
Um Schäden am Gerät zu vermeiden, decken Sie die Lüftungsöffnungen auf den Seiten links und rechts und der Ober- und Unterseite nicht ab und sorgen dafür, dass Luft ungehindert zirkulieren kann. Das Verdecken der Lüftungsöffnungen auf der Ober- oder Unterseite des Gehäuses bei der Unter- oder Auftrischmontage ist dabei unkritisch, da die Kühlung durch die Lüftungsöffnungen der verbleibenden Seiten ausreichend ist.

## ANSCHLUSSBEISPIELE

### 1

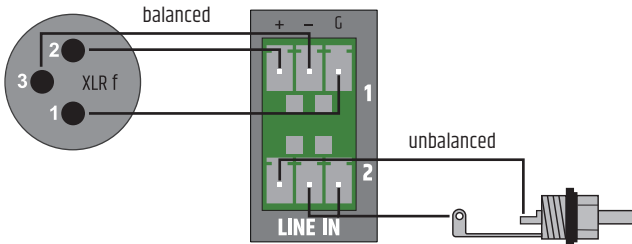


2



## KLEMMLEISTENANSCHLÜSSE

### ANSCHLÜSSE LINE IN



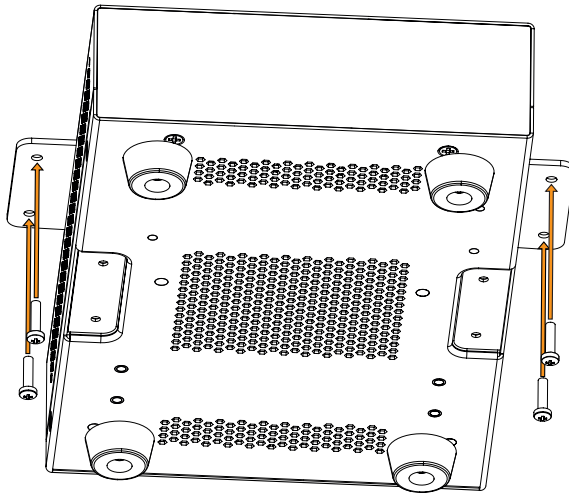
**ACHTUNG:** Beachten Sie bei der Verdrahtung von Klemmleisten bitte die korrekte Zuordnung der Pole/Klemmen. Der Hersteller übernimmt keine Haftung für Schäden, die durch fehlerhafte Verdrahtung entstehen!



**Tipp:** Verwenden Sie für die Verkabelung von analogen Line-Ein- und -Ausgängen vorzugsweise symmetrische Audiokabel.

## UNTER- / AUFTISCHMONTAGE

Für die Unter- bzw. Auftrischmontage befinden sich auf der Ober- und Unterseite des Gehäuses je zwei Aussparungen mit wiederum je zwei M3 Gewindebohrungen. Schrauben Sie die beiden beiliegenden Montageplatten mittels der beiliegenden M3 Senkkopfschrauben an die Ober- bzw. Unterseite. Nun kann der Verstärker in der gewünschten Position befestigt werden (siehe Abbildung, Befestigungsschrauben nicht im Lieferumfang enthalten). Bei Auftrischmontage müssen die vier GummifüÙe zuvor demontiert werden.



## PFLEGE, WARTUNG UND REPARATUR

Um die einwandfreie Funktion des Geräts auf Dauer zu gewährleisten, muss es regelmäßig gepflegt und bei Bedarf gewartet werden. Der Pflege- bzw. Wartungsbedarf steht in Abhängigkeit der Nutzungsintensität und -umgebung.

Wir empfehlen generell eine Sichtprüfung vor jeder Inbetriebnahme. Weiterhin empfehlen wir alle 500 Betriebsstunden, oder bei geringerer Nutzungsintensität spätestens nach Ablauf eines Jahres alle unten genannten und zutreffenden Pflegemaßnahmen durchzuführen. Bei Mängeln, die auf eine unzureichende Pflege zurückzuführen sind, kann es zu Einschränkungen der Garantieansprüche kommen.

### PFLEGE (VOM ANWENDER DURCHFÜHRBAR)



**WARNUNG!** Vor jeglichen Pflegemaßnahmen müssen die Spannungsversorgung und sofern möglich sämtliche Geräteverbindungen getrennt werden.



**HINWEIS!** Unsachgemäße Pflege kann zu Beeinträchtigung des Gerätes führen bis hin zur Zerstörung.

1. Gehäuseoberflächen müssen mit einem sauberen, feuchten Tuch gereinigt werden. Dabei ist darauf zu achten, dass keine Feuchtigkeit in das Gerät eindringen kann.
2. Luft Ein- und Austrittsöffnungen müssen regelmäßig von Staub und Schmutz befreit werden. Im Fall des Einsatzes von Druckluft ist darauf zu achten, dass Beschädigungen am Gerät verhindert werden (z.B. müssen Lüfter für diesen Fall blockiert werden).
3. Leitungen und Steckkontakte sind regelmäßig zu reinigen und von Staub und Schmutz zu befreien.
4. Es dürfen generell keine Reinigungs-, Desinfektionsmittel oder Mittel mit schleifender Wirkung zur Pflege verwendet werden, andernfalls ist mit Beeinträchtigung der Oberflächenbeschaffenheit zu rechnen. Speziell durch Lösemittel, wie Alkohol, können Gehäusedichtungen in ihrer Funktion beeinträchtigt werden.
5. Geräte sind generell trocken zu lagern und vor Staub und Verschmutzung zu schützen.

**WARTUNG UND REPARATUR (NUR DURCH FACHPERSONAL)**

**GEFAHR!** Im Gerät befinden sich Spannungsführende Bauteile. Auch nach Trennung der Netzverbindung kann noch Restspannung im Gerät vorhanden sein, z.B. durch geladene Kondensatoren.



**HINWEIS!** Im Gerät befinden sich keine für den Anwender zu wartenden Baugruppen.



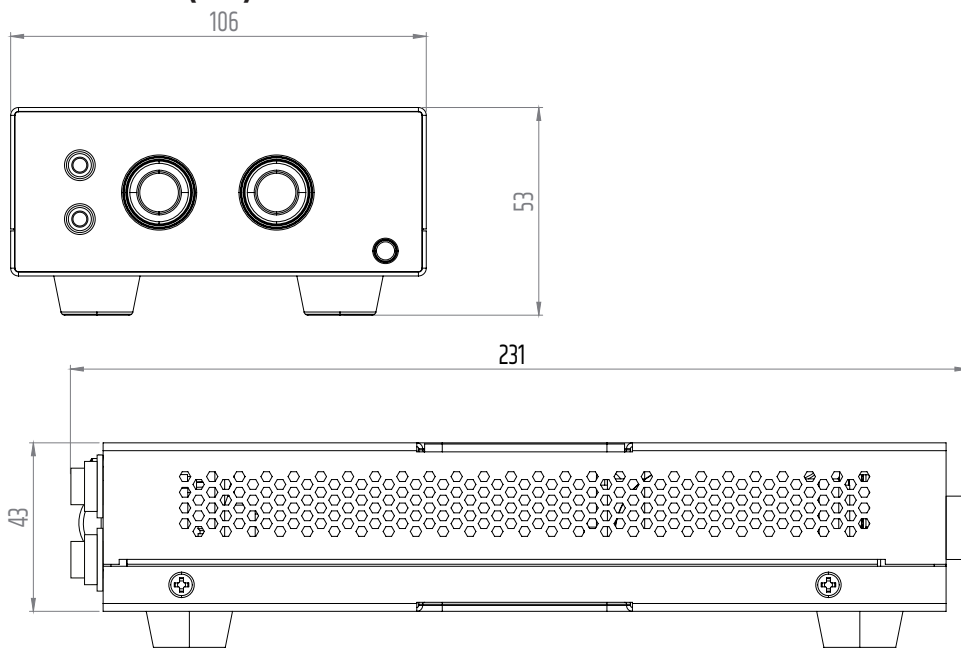
**HINWEIS!** Wartungs- und Reparaturmaßnahmen dürfen nur von ausreichend qualifiziertem Fachpersonal durchgeführt werden. Im Zweifel wenden Sie sich an eine Fachwerkstatt.



**HINWEIS!** Unsachgemäß ausgeführte Wartungsarbeiten können den Gewährleistungsanspruch beeinträchtigen.



**HINWEIS!** Bei vom Hersteller vorgesehenen Um- oder Nachrüstsets beachten Sie unbedingt die beiliegende Einbauanleitung.

**ABMESSUNGEN (mm)**

## TECHNISCHE DATEN

Artikelbezeichnung	LDHPA2
Produkttyp	Dualer Kopfhörer-Verstärker für Festinstallationen
Line-Eingänge	2
Line-Eingangsanschlüsse	symmetrische Line-Eingänge, Abstand 3,81mm Klemmleiste (3-polig) / 2x 6,3 mm (1/4") TRS
Line-Ausgänge	2
Ausgänge mit Stromversorgung	2 Stereo
Kühlungssystem	Konvektionskühlung
Prioritätsstufen	1

### Eingangsbereich

Eingangsempfindlichkeit, nominal	-9 dBu
Eingangsübersteuerung, nominal	17 dBu
Klirrfaktor (THD+N)	< 0,03 %
Eingangsimpedanz	15 kOhm (symmetrisch)
Geräuschspannungsabstand	> 100 dB (HP1/2 OUT, 14 dBu, 20 kHz Bandbreite, A-bewertet)
Gleichtaktunterdrückung (CMRR)	> 50 dB
Gain	Max. 12 dB

### Line Ausgang

Typ	Symmetrisch
Ausgabe-Modi	Stereo/Mono, HP/HP+MON
Line Out Anschluss	2x 6,3 mm (1/4") TRS
Max. Line-Ausgangspegel	15 dBu
Frequenzgang	18 Hz – 50 kHz (-0,5 dB)

### Kopfhörer-Verstärker Ausgang

Typ	Ohne Koppelkondensator
Ausgabe-Modi	Stereo/Mono, HP/HP+MON
HP-Ausgangsanschluss	2x 6,3 mm (1/4") TRS oder 2x 3,5 mm (1/8") TRS
Ausgangsleistung (RMS)	2x 75 mW @ 33 Ohm
Minimale Lastimpedanz	16 Ohm
Frequenzgang	18 Hz – 50 kHz (-0,5 dB)

**Artikelbezeichnung****LDHPA2****Stromversorgung**

Typ	Externes Schaltnetzteil
Betriebsspannung	100 V AC – 240 V AC (+-10%), 50 – 60 Hz
Eingangssicherung (Netz)	Keine
Sekundäre Spannung	24 V DC
Sekundärstrom	0,5 A
Sekundärer Anschluss	Trommelstecker 5,5 mm / "+" Innen
Primärer Anschluss	Ext. Stromversorgung Austauschbarer Stecker
Sicherheitsklasse	Klasse 3
Max. Leistungsaufnahme	5 W (Sinus 1 kHz mit 2x 33 Ohm Last)
Leistungsaufnahme im Ruhezustand	3,5 W (kein Signal anliegend)
Leistungsaufnahme im Standby-Betrieb	<1 W
Netzeinschaltstrom	1,7 A @ 230 V AC
Betriebstemperatur	0°C – 40°C; < 85 % Luftfeuchtigkeit, ohne Kondensation

**Allgemeine Daten**

Zeit bis Standby	k. A.
Material	Stahlgehäuse, Frontplatte aus Kunststoff
Abmessungen (B x H x T)	106 (B) x 53 (H) x 225 (T) mm (Höhe mit Gummifüßen)
Gewicht	0,850 kg
Zubehör im Lieferumfang	Externe Stromversorgung mit austauschbaren Steckern, Montageplatten für die Oberflächenmontage, Klemmenleisten für elektrische Anschlüsse.

## ENTSORGUNG



### Verpackung:

1. Verpackungen können über die üblichen Entsorgungswege dem Wertstoffkreislauf zugeführt werden.
2. Bitte trennen Sie die Verpackung entsprechend der Entsorgungsgesetze und Wertstoffverordnungen in Ihrem Land.



### Gerät:

1. Dieses Gerät unterliegt der europäischen Richtlinie für Elektro- und Elektronik-Altgeräte in der jeweils geltenden aktuellen Fassung. WEEE-Richtlinie Waste Electrical and Electronical Equipment. Altgeräte und Batterien gehören nicht in den Hausmüll. Das Altgerät bzw. Batterien müssen über einen zugelassenen Entsorgungsbetrieb oder eine kommunale Entsorgungseinrichtung entsorgt werden. Bitte beachten Sie geltende Vorschriften in Ihrem Land!
2. Beachten Sie alle in Ihrem Land geltenden Entsorgungsgesetze.
3. Als Privatkunde erhalten Sie Informationen zu umweltfreundlichen Entsorgungsmöglichkeiten über den Händler, bei dem das Produkt erworben wurde, oder über die entsprechenden regionalen Behörden.

## HERSTELLERERKLÄRUNGEN

### HERSTELLERGARANTIE & HAFTUNGSBESCHRÄNKUNG

Adam Hall GmbH, Adam-Hall-Str. 1, D-61267 Neu Anspach / E-Mail [Info@adamhall.com](mailto:Info@adamhall.com) / +49 (0)6081 / 9419-0.  
 Unsere aktuellen Garantiebedingungen und Haftungsbeschränkung finden Sie unter:  
[https://cdn-shop.adamhall.com/media/pdf/MANUFACTURERS-DECLARATIONS\\_LD\\_SYSTEMS.pdf](https://cdn-shop.adamhall.com/media/pdf/MANUFACTURERS-DECLARATIONS_LD_SYSTEMS.pdf).  
 Im Servicefall wenden Sie sich an Ihren Vertriebspartner.

### CE-KONFORMITÄT

Hiermit erklärt die Adam Hall GmbH, dass dieses Produkt folgender Richtlinie entspricht (soweit zutreffend).

R&TTE (1999/5/EG) bzw. RED (2014/53/EU) ab Juni 2017

Niederspannungsrichtlinie (2014/35/EU)

EMV-Richtlinie (2014/30/EU)

RoHS (2011/65/EU)

Die vollständige Konformitätserklärung finden Sie unter [www.adamhall.com](http://www.adamhall.com).

Des Weiteren können Sie diese auch unter [info@adamhall.com](mailto:info@adamhall.com) anfragen.

### EU-KONFORMITÄTSERKLÄRUNG

Konformitätserklärungen für Produkte, die unter die LVD-, EMV- und RoHS Richtlinien fallen, können unter [info@adamhall.com](mailto:info@adamhall.com) angefordert werden.

Konformitätserklärungen für Produkte, die der RED-Richtlinie unterliegen, können unter [www.adamhall.com/compliance/](http://www.adamhall.com/compliance/) abgerufen werden.

**Druckfehler und Irrtümer, sowie technische oder sonstige Änderungen sind vorbehalten!**

**VOUS AVEZ FAIT LE BON CHOIX !**

Cet appareil a été conçu et fabriqué selon des normes de qualité élevées afin de garantir un fonctionnement sans faille pendant de nombreuses années. C'est ce que LD Systems représente avec son nom et sa longue expérience en tant que fabricant de produits audio de haute qualité. Veuillez lire attentivement ce mode d'emploi afin de pouvoir utiliser rapidement votre nouveau produit LD Systems de manière optimale. Vous trouverez plus d'informations sur **LD Systems** sur notre site Internet [WWW.LD-SYSTEMS.COM](http://WWW.LD-SYSTEMS.COM)

**INFORMATIONS SUR CE MODE D'EMPLOI**

- Avant la mise en service, lisez attentivement les consignes de sécurité et l'ensemble du mode d'emploi.
- Respectez les avertissements figurant sur l'appareil et dans le mode d'emploi.
- Conservez toujours le mode d'emploi à portée de main.
- Si vous vendez ou cédez l'appareil, remettez impérativement aussi ce mode d'emploi, car il fait partie intégrante du produit.

**UTILISATION RÉGLEMENTÉE**

Le produit est un appareil destiné à une installation audio professionnelle !

Le produit a été développé pour une utilisation professionnelle dans le domaine de l'installation audio et n'est pas destiné à être utilisé dans les foyers !

En outre, ce produit est destiné à être installé par des personnes qualifiées ayant des connaissances spécialisées et à être utilisé par des personnes instruites !

L'utilisation du produit en dehors des caractéristiques techniques et des conditions d'exploitation spécifiées est considérée comme non conforme à l'usage prévu !

La responsabilité pour les dommages et les dommages causés à des personnes et à des biens par une utilisation non conforme est exclue !

Le produit n'est pas adapté pour:

- Les personnes (y compris les enfants) dont les capacités physiques, sensorielles ou mentales sont réduites, ou qui manquent d'expérience et de connaissances.
- Les enfants (les enfants doivent être informés de ne pas jouer avec l'appareil)

**EXPLICATIONS DES TERMES ET DES SYMBOLES**

1. **DANGER** : le mot DANGER, éventuellement associé à un symbole, indique des situations ou des états directement dangereux pour la vie et l'intégrité corporelle.
2. **AVERTISSEMENT** : le mot DANGER, éventuellement associé à un symbole, indique des situations ou des états éventuellement dangereux pour la vie et l'intégrité corporelle.
3. **ATTENTION** : le mot ATTENTION, éventuellement accompagné d'un symbole, est utilisé pour attirer l'attention sur des situations ou des états pouvant entraîner des blessures.
4. **ATTENTION** : le mot ATTENTION, éventuellement accompagné d'un symbole, est utilisé pour attirer l'attention sur des situations ou des états pouvant entraîner des dommages matériels et/ou environnementaux.





Ce symbole indique les dangers qui peuvent provoquer un choc électrique.



Ce symbole signale les endroits dangereux ou les situations dangereuses.



Ce symbole indique les dangers liés aux surfaces chaudes.



Ce symbole indique les dangers liés à un volume sonore élevé.



Ce symbole signale des informations complémentaires sur l'utilisation du produit.



Ce symbole indique un appareil qui ne contient aucune pièce remplaçable par l'utilisateur.



Ce symbole indique un équipement électrique conçu principalement pour une utilisation en intérieur.

## CONSIGNES DE SÉCURITÉ



### **DANGER :**

1. N'ouvrez pas l'appareil et ne le modifiez pas.
2. Si votre appareil ne fonctionne plus correctement, si des liquides ou des objets ont pénétré à l'intérieur de l'appareil ou si l'appareil a été endommagé d'une autre manière, éteignez-le immédiatement et débranchez-le de l'alimentation électrique. Cet appareil ne peut être réparé que par un personnel qualifié et autorisé.
3. Pour les appareils de la classe de protection 1, le conducteur de protection doit être correctement raccordé. N'interrompez jamais le conducteur de protection. Les appareils de la classe de protection 2 n'ont pas de conducteur de protection.
4. Veillez à ce que les câbles sous tension ne soient pas pliés ou endommagés mécaniquement d'une autre manière.
5. Ne shuntez jamais le fusible de l'appareil.



### **AVERTISSEMENT**

1. L'appareil ne doit pas être mis en service s'il présente des dommages évidents.
2. L'appareil ne doit être installé que lorsqu'il est hors tension.
3. Si le câble d'alimentation de l'appareil est endommagé, l'appareil ne doit pas être mis en service.
4. Les câbles d'alimentation raccordés de manière fixe ne peuvent être remplacés que par une personne qualifiée.

**ATTENTION**

1. Ne mettez pas l'appareil en service s'il a été exposé à de fortes variations de température (par exemple après le transport). L'humidité et la condensation pourraient endommager l'appareil. Ne mettez pas l'appareil en marche tant qu'il n'a pas atteint la température ambiante.
2. Assurez-vous que la tension et la fréquence du réseau électrique correspondent aux valeurs indiquées sur l'appareil. Si l'appareil dispose d'un sélecteur de tension, ne branchez pas l'appareil tant que celui-ci n'est pas correctement réglé. N'utilisez que des câbles d'alimentation appropriés.
3. Pour couper l'appareil du secteur sur tous les pôles, il ne suffit pas d'actionner l'interrupteur marche/arrêt de l'appareil.
4. Assurez-vous que le fusible utilisé correspond au type imprimé sur l'appareil.
5. Assurez-vous que des mesures appropriées ont été prises contre les surtensions (par exemple, la foudre).
6. Respectez le courant de sortie maximal indiqué pour les appareils équipés d'une connexion Power Out. Veillez à ce que la consommation totale de courant de tous les appareils connectés ne dépasse pas la valeur prédéfinie.
7. Ne remplacez les câbles d'alimentation enfichables que par des câbles d'origine.

**DANGER :**

1. Risque d'étouffement ! Les sacs en plastique et les petites pièces doivent être tenus hors de portée des personnes (y compris les enfants) dont les capacités physiques, sensorielles ou mentales sont réduites.
2. Danger de chute ! Assurez-vous que l'appareil est installé de manière sûre et qu'il ne peut pas tomber. Utilisez uniquement des trépieds ou des fixations appropriés (en particulier pour les installations fixes). Assurez-vous que les accessoires sont correctement installés et sécurisés. Veillez à ce que les règles de sécurité en vigueur soient respectées.

**AVERTISSEMENT**

1. N'utilisez l'appareil que de la manière prévue.
2. N'utilisez l'appareil qu'avec les accessoires recommandés et prévus par le fabricant.
3. Lors de l'installation, respectez les consignes de sécurité en vigueur dans votre pays.
4. Après avoir branché l'appareil, vérifiez tous les chemins de câbles afin d'éviter tout dommage ou accident, par exemple en cas de trébuchement.
5. Respectez impérativement la distance minimale indiquée par rapport aux matériaux normalement inflammables ! Dans la mesure où celle-ci n'est pas explicitement indiquée, la distance minimale est de 0,3 mètre.

**ATTENTION**

1. Les éléments mobiles tels que les étriers de montage ou autres éléments mobiles peuvent se coincer.
2. Les appareils dotés de composants entraînés par un moteur présentent un risque de blessure dû au mouvement de l'appareil. Des mouvements soudains de l'appareil peuvent entraîner des réactions de peur.



### ATTENTION

1. N'installez pas et n'utilisez pas l'appareil à proximité de radiateurs, d'accumulateurs de chaleur, de fours ou d'autres sources de chaleur. Veillez à ce que l'appareil soit toujours installé de manière à ce qu'il soit suffisamment refroidi et qu'il ne puisse pas surchauffer.
2. Ne placez pas de sources d'inflammation telles que des bougies allumées à proximité de l'appareil.
3. Les ouvertures de ventilation ne doivent pas être recouvertes et les ventilateurs ne doivent pas être bloqués.
4. Pour le transport, utilisez l'emballage d'origine ou les emballages prévus à cet effet par le fabricant.
5. Éviter de soumettre l'appareil à des secousses ou à des chocs.
6. Respectez l'indice de protection IP, ainsi que les conditions ambiantes telles que la température et l'humidité de l'air, conformément aux spécifications.
7. Les appareils peuvent être développés en permanence. En cas de divergence entre les indications relatives aux conditions de fonctionnement, à la puissance ou à d'autres caractéristiques de l'appareil entre le mode d'emploi et l'inscription sur l'appareil, c'est toujours l'indication sur l'appareil qui prime.
8. L'appareil n'est pas adapté aux climats tropicaux ni à une utilisation au-dessus de 2000 m d'altitude.



### ATTENTION :

Le raccordement de câbles de signal peut entraîner des bruits parasites importants. Veillez à ce que les appareils raccordés à la sortie soient mis en sourdine lors des opérations de branchement. Dans le cas contraire, les niveaux de bruits parasites peuvent entraîner des dommages.



### ATTENTION AUX VOLUMES ÉLEVÉS DES PRODUITS AUDIO !

Cet appareil est destiné à un usage professionnel.

L'utilisation commerciale de cet appareil est soumise aux réglementations et directives nationales en vigueur en matière de prévention des accidents.

Lésions auditives dues à un volume sonore élevé et à une exposition continue : l'utilisation de ce produit peut générer des niveaux de pression sonore (SPL) élevés susceptibles d'entraîner des lésions auditives. Évitez l'exposition à des volumes sonores élevés.



### NOTES POUR L'ÉQUIPEMENT D'INSTALLATION À L'INTÉRIEUR

1. Les appareils destinés aux applications d'installation sont conçus pour un fonctionnement continu.
2. Les unités destinées à une installation intérieure ne sont pas étanches.
3. Les surfaces et les pièces en plastique des équipements d'installation peuvent également vieillir, par exemple sous l'effet des rayons UV et des variations de température. Cela n'entraîne généralement pas de restrictions fonctionnelles.
4. Pour les appareils installés à demeure, il faut s'attendre à un dépôt d'impuretés, par exemple de la poussière. Veillez à respecter les instructions d'entretien.
5. Sauf indication contraire explicite sur l'appareil, les appareils sont prévus pour des hauteurs d'installation inférieures à 5 m.

## CONTENU DU CARTON

Sortez le produit du carton et retirez tous les matériaux d'emballage.

Veillez vérifier l'intégralité et l'intégrité de la livraison et informer votre partenaire de distribution immédiatement après l'achat si la livraison n'est pas complète ou si elle est endommagée.

Le carton contient :

- 1 x amplificateur casque HPA2
- 1 x bloc d'alimentation secteur
- 1 jeu de connecteurs Euroblock
- 1 kit de montage pour un montage sur table ou sous table
- 1 jeu de pieds en caoutchouc (pré-assemblés)
- Manuel de l'utilisateur

## INTRODUCTION

Faisant partie de la série TICA®, le HPA 2 est un amplificateur de casque deux canaux, deux sorties conçu pour rendre l'écoute de contrôle flexible et facile.

Les deux entrées au niveau ligne possèdent un réglage de gain indépendant. Il possède des connecteurs de type jack 6,35 mm standard et un bornier.

Le HPA 2 propose deux paires de sorties casque : deux mini-jacks 3,5 mm en face avant et deux jacks 6,35 mm à l'arrière, ainsi que deux renvois du signal d'entrée au niveau ligne, sur jacks 6,35 mm. Vous pouvez ainsi brancher en cascade (daisy chain) plusieurs amplificateurs, pour les applications d'écoute en groupe. Les indicateurs de présence de signal d'entrée et d'écrêtage aident à contrôler la qualité d'écoute.

Des sélecteurs de configuration permettent à deux personnes d'écouter le même signal stéréo ou des signaux mono séparés. D'autres options permettent de configurer les potentiomètres de volume pour régler le niveau d'écoute individuellement sur chaque casque ou d'affecter l'un d'entre eux au réglage du niveau de la sortie Monitor.

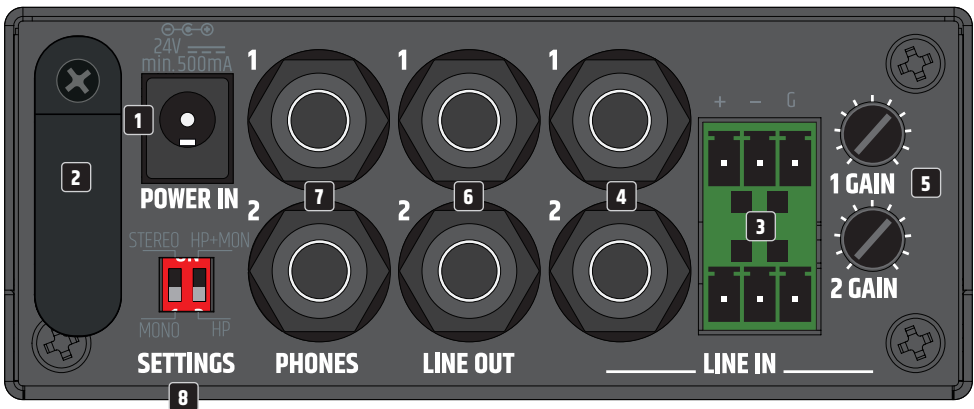
Les dimensions très réduites (106 x 53 x 225 mm) et les plaques de montage livrées permettent de l'installer discrètement. Il peut également être placé dans un rack au format 19 pouces (1U, quart de largeur) Un accessoire de rack optionnel permet de juxtaposer jusqu'à quatre produits de la série TICA®, afin de constituer un système répondant exactement à vos besoins, en utilisant le minimum de place dans votre rack.

Une excellente solution d'écoute de contrôle pour les professionnels de l'audio.

## FONCTIONNALITÉS

- Amplificateur de casque deux canaux, deux sorties
- Deux entrées au niveau ligne avec réglage de gain indépendant
- Deux sorties au niveau ligne
- Deux sorties casque en face avant (sur mini-jack 3,5 mm) et deux à l'arrière (sur jack 6,35 mm)
- Indicateurs de présence de signal et d'écrêtage sur chaque canal
- Alimentation externe, tension secteur 100 - 240 V

## BRANCHEMENTS, UTILISATION ET INDICATEURS



### 1 ENTRÉE POWER IN

Embase basse tension pour alimentation de l'appareil. Pour éviter d'endommager l'appareil, veuillez utiliser uniquement l'alimentation électrique d'origine (bloc secteur livré).

### 2 DÉCHARGE DE TRACTION

Faites passer le câble souple provenant du bloc d'alimentation par la décharge de traction, afin de protéger l'embase basse tension, la fiche basse tension et le câble contre les dommages et d'éviter que la fiche ne soit retirée de manière involontaire.

### 3 LINE IN 1 + 2

Entrées audio analogiques symétriques sur connecteurs Euroblock. Les pôles +, - et G sont destinés au signal d'entrée symétrique (câblage compatible asymétrique). Les connecteurs Euroblock sont livrés avec l'amplificateur. N'utilisez qu'une seule entrée stéréo à la fois : soit Euroblock, soit jack.

### 4 LINE IN 1 + 2

Entrées audio analogiques symétriques sur embases jack 6,35 mm. N'utilisez qu'une seule entrée stéréo à la fois : soit jack, soit Euroblock.

### 5 GAIN 1 + 2

Potentiomètre pour la sensibilité d'entrée des entrées ligne LINE IN 1 et 2.

### 6 LINE OUT 1 + 2

Sorties audio analogiques au niveau ligne sur embases jack 6,35 mm symétriques.

### 7 PHONES 1 + 2

Sorties casque sur embases jack stéréo 6,35 mm. Les embases jack 6,35 mm à l'arrière sont câblées en parallèle avec les embases mini-jack 3,5 mm à l'avant ; elles peuvent être utilisées simultanément si nécessaire. Veuillez à ce que l'impédance résultante des casques utilisés en parallèle ne soit pas inférieure à 16 ohms.

## 8 SÉLECTEURS SETTINGS

### Sélecteur 1 STEREO / MONO

**STEREO** : Le signal stéréo présent à l'entrée LINE IN est envoyé en stéréo aux sorties casque à l'arrière et à l'avant et à la sortie ligne LINE OUT 1 / 2.

**MONO** : Un signal stéréo appliqué à LINE IN est envoyé en mono aux sorties casque à l'arrière et à l'avant. Sur la sortie de ligne LINE OUT 1 / 2, le signal est émis en stéréo.

### Sélecteur 2 HP+MON / HP

**HP+MON** : Le signal présent à l'entrée LINE IN est envoyé aux sorties casque à l'arrière et à l'avant, ainsi qu'aux sorties ligne LINE OUT (par exemple, pour alimenter des enceintes actives). Le volume des sorties PHONES 1 et 2 se règle via le potentiomètre VOLUME 1 sur le panneau avant, le volume de la sortie LINE OUT 1 / 2 avec VOLUME 2.

**HP** : Un signal présent sur LINE IN est émis sur les sorties casque arrière et avant et sur LINE OUT 1 / 2. Le volume de PHONES 1 est réglé avec VOLUME 1 sur la face avant, le volume de PHONES 2 avec VOLUME 2. Le niveau de LINE OUT 1 / 2 n'est pas influencé par les commandes de volume.



## 9 INTERRUPTEUR MARCHE/ARRÊT ET TÉMOIN D'ALIMENTATION

Appuyez sur le bouton-poussoir pour allumer l'appareil, puis de nouveau pour l'éteindre. Dès que le HPA2 est correctement connecté à l'alimentation électrique et allumé, le témoin/symbole d'alimentation s'allume en blanc.

## 10 PHONES 1 ET 2

Sorties casque sur embases mini-jack stéréo 3,5 mm. Les sorties casque jack 6,35 mm à l'arrière sont câblées en parallèle avec les sorties mini-jack 3,5 mm à l'avant, et peuvent être utilisées simultanément si nécessaire. Veillez à ce que l'impédance totale des casques utilisés en parallèle ne soit pas inférieure à 16 ohms.

## 11 VOLUME 1 + 2

Selon le réglage du deuxième sélecteur SETTINGS situé sur le panneau arrière, les potentiomètres de niveau possèdent des fonctions différentes.

SETTINGS - HP : Chaque potentiomètre contrôle le niveau de la sortie casque correspondante, 1 ou 2.  
 SETTINGS - HP+MON : Le potentiomètre VOLUME 1 contrôle le niveau des sorties casque PHONES 1 et 2.  
 Le potentiomètre VOLUME 2 contrôle le niveau de la sortie LINE OUT.

Tourner vers la droite augmente le volume, tourner vers la gauche le diminue.

Pour éviter tout dommage auditif, réglez le volume au minimum avant d'utiliser un casque, des écouteurs intra-auriculaires ou des enceintes actives. Ensuite, n'augmentez le volume que lentement. Attention, un volume élevé peut endommager l'ouïe de façon permanente.

## 12 SIG 1 + 2 (SIGNAL)

Dès qu'un signal audio est présent aux sorties du casque ou à la sortie LINE OUT, l'indicateur de signal correspondant s'allume en blanc.

## 13 CLIP 1 + 2

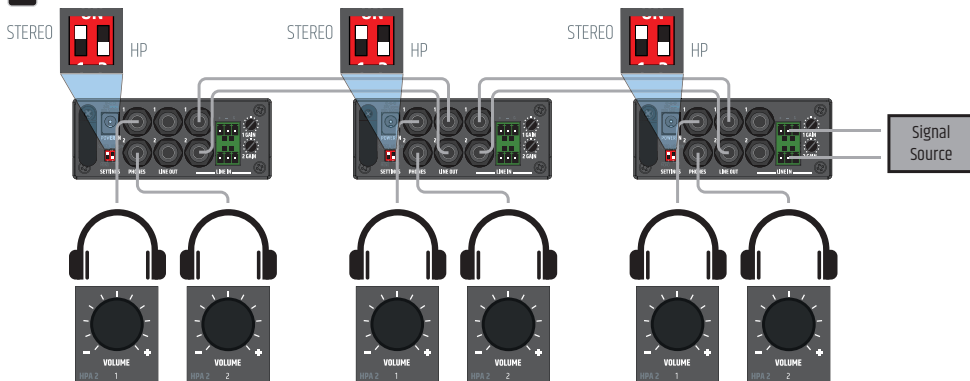
L'indicateur rouge CLIP s'allume lorsque la sortie correspondante est surchargée (écrêtage). Dans ce cas, baissez le volume. Le non-respect de cette consigne peut entraîner une distorsion de la reproduction sonore et endommager l'amplificateur, le casque ou les enceintes.

## OUÏES D'AÉRATION

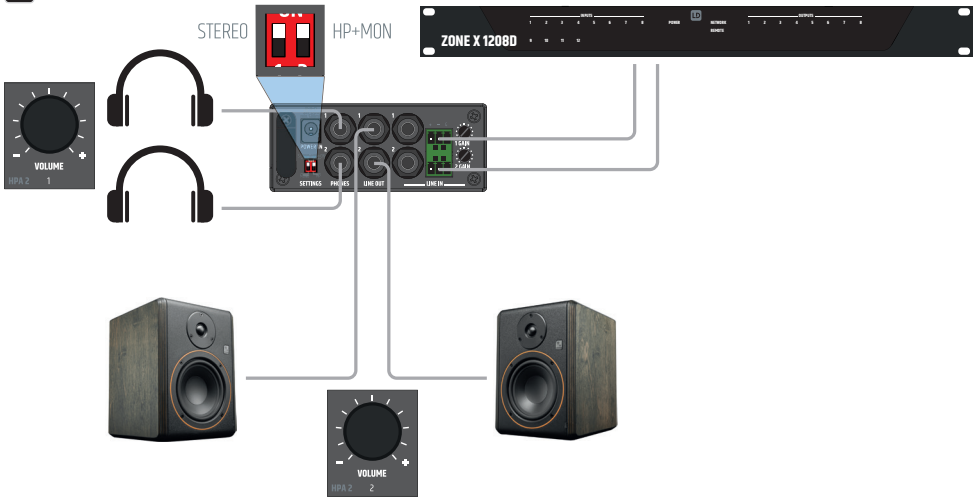
Pour éviter d'endommager l'appareil, ne couvrez pas les ouvertures de ventilation situées sur les côtés gauche et droit et sur le dessus et le dessous de l'appareil, et veillez à ce que l'air puisse circuler librement. Il n'est pas nocif de couvrir les ouvertures de ventilation situées sur le dessus ou le dessous du boîtier lorsque celui-ci est monté sous ou sur une table, car le refroidissement assuré par les ouvertures de ventilation situées sur les autres côtés est suffisant.

## EXEMPLES DE CONNEXION

### 1

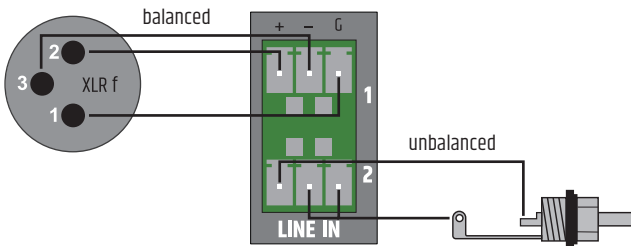


2



## CONTACTS CONNECTEURS EUROBLOCK

### CONNEXIONS LINE IN



**ATTENTION :** Lors du câblage des barrettes, veillez à l'affectation correcte des contacts/ bornes. Le fabricant n'accepte aucune responsabilité pour les dommages causés par un câblage défectueux.



**Conseil :** Utilisez de préférence des câbles audio symétriques pour le câblage desentrées et sorties analogiques.

ENGLISH

DEUTSCH

FRANCAIS

ESPAÑOL

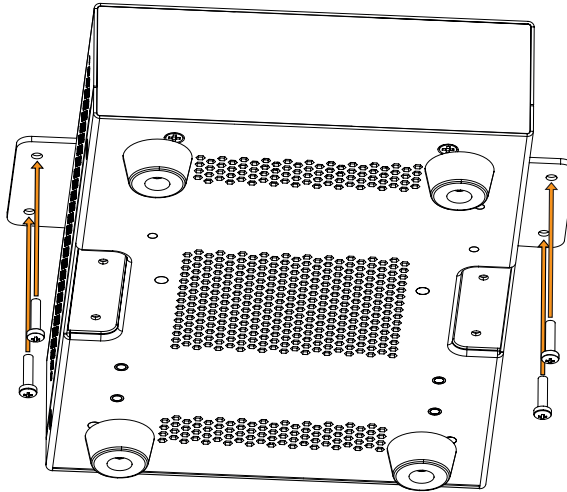
POLSKI

ITALIANO



## MONTAGE SOUS / SUR TABLE

Deux évidements sur le haut et le bas du boîtier, chacun avec deux trous filetés M3, sont prévus pour un montage sous ou sur une table. Vissez les deux plaques de montage fournies sur le côté supérieur ou inférieur à l'aide des vis à tête fraisée M3 fournies. L'amplificateur peut maintenant être fixé dans la position souhaitée (voir illustration, vis de fixation non livrées). Pour un montage sur table, les quatre pieds en caoutchouc doivent être retirés au préalable.



## ENTRETIEN, MAINTENANCE ET RÉPARATION

Pour garantir le bon fonctionnement de l'appareil à long terme, il faut l'entretenir régulièrement et le réviser si nécessaire. Les besoins en matière d'entretien et de maintenance dépendent de l'intensité et de l'environnement d'utilisation.

Nous recommandons généralement un contrôle visuel avant chaque mise en service. En outre, nous recommandons d'effectuer toutes les 500 heures de fonctionnement ou, en cas d'utilisation moins intensive, au plus tard après un an, toutes les mesures d'entretien mentionnées ci-dessous et applicables. En cas de défauts dus à un entretien insuffisant, les droits à la garantie peuvent être limités.

### ENTRETIEN (RÉALISABLE PAR L'UTILISATEUR)



**AVERTISSEMENT !** Avant toute opération d'entretien, il faut couper l'alimentation électrique et, si possible, toutes les connexions de l'appareil.



**REMARQUE !** Un entretien inapproprié peut entraîner une détérioration de l'appareil, voire sa destruction.

1. Les surfaces du boîtier doivent être nettoyées avec un chiffon propre et humide. Il faut veiller à ce que l'humidité ne puisse pas pénétrer dans l'appareil.
2. Air Les ouvertures d'entrée et de sortie doivent être régulièrement nettoyées de la poussière et de la saleté. En cas d'utilisation d'air comprimé, il faut veiller à éviter d'endommager l'appareil (par exemple, les ventilateurs doivent être bloqués pour ce cas).

3. Les câbles et les contacts enfichables doivent être nettoyés régulièrement et débarrassés de la poussière et de la saleté.
4. En règle générale, il ne faut pas utiliser de produits de nettoyage, de désinfection ou de produits à effet abrasif pour l'entretien, sinon il faut s'attendre à une détérioration de la qualité de la surface. Le fonctionnement des joints de boîtier peut être altéré, en particulier par des solvants tels que l'alcool.
5. Les appareils doivent généralement être stockés au sec et protégés de la poussière et des salissures.

### ENTRETIEN ET RÉPARATION (UNIQUEMENT PAR DU PERSONNEL QUALIFIÉ)



**DANGER !** L'appareil renferme des composants sous tension. Même après avoir débranché la fiche de la prise secteur, il peut subsister une tension résiduelle dans l'appareil, par exemple en raison de condensateurs chargés.



**REMARQUE !** L'appareil ne contient pas de sous-ensembles pouvant être réparés par l'utilisateur.



**REMARQUE !** Les travaux d'entretien et de réparation ne peuvent être effectués que par du personnel spécialisé suffisamment qualifié. En cas de doute, consultez un atelier spécialisé.

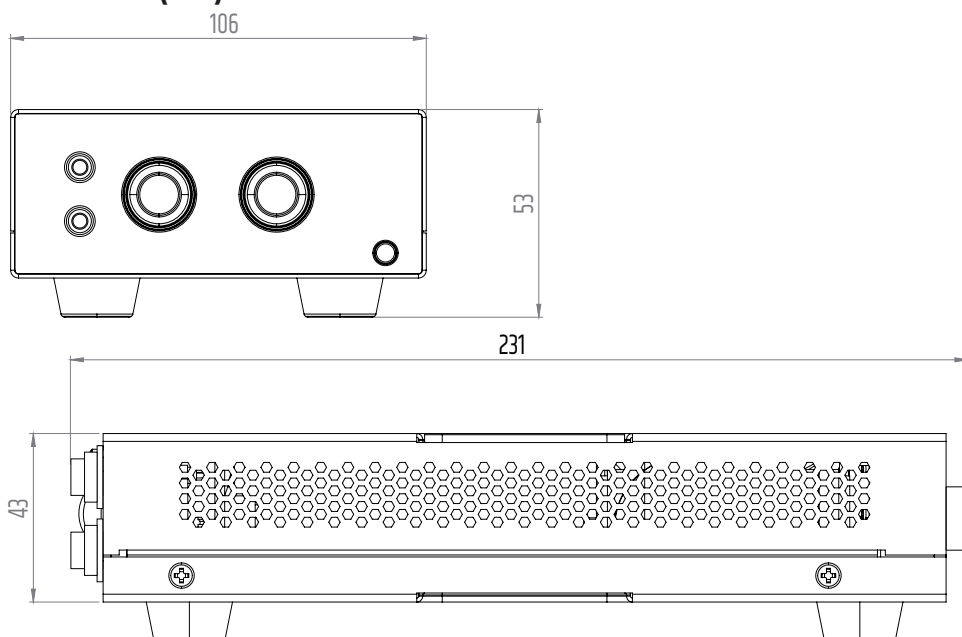


**REMARQUE !** Les travaux d'entretien mal effectués peuvent affecter les demandes de garantie.



**REMARQUE !** Pour les kits ou accessoires de conversion ou d'adaptation fournis par le fabricant, il est essentiel de respecter les instructions incluses.

### DIMENSIONS (mm)



## CARACTÉRISTIQUES TECHNIQUES

Référence produit	LDHPA2
Type de produit	Amplificateur casque 2 sorties pour installation fixe
Entrées ligne	2
Connecteurs d'entrée ligne	Entrées ligne symétriques, bornier au pas de 3,81 mm (3 broches) / 2 x jack 6,35 mm (1/4") TRS
Nombre de sorties ligne	2
Nombre de sorties casque	2 stéréo
Système de refroidissement	Refroidissement par convection
Niveaux de priorité	1

### Section d'entrée

Sensibilité d'entrée nominale	-9 dBu
Tension d'écrêtage de l'entrée	+17 dBu
THD+N	< 0,03 %
Impédance d'entrée	15 kOhms (symétrique)
Rapport S/B	> 100 dB (sorties casque 1/2, +14 dBu, largeur de spectre 20 kHz, avec pondération A)
Taux de réjection de mode commun (CMRR)	> 50 dB
Gain	12 dB maxi

### Sorties ligne

Type	Symétrique
Modes de sortie	Stéréo/Mono, HP/HP+MON
Connecteur de sortie ligne	2 x jack 6,35 mm (1/4") TRS
Niveau de sortie ligne maxi	+15 dBu
Réponse en fréquence	18 Hz - 50 kHz (-0,5 dB)

### Sortie casque

Type	Sortie sans condensateur de découplage
Modes de sortie	Stéréo/Mono, HP/HP+MON
Connecteur de sortie casque	2 x jack 6,35 mm (1/4") TRS ou 2 x jack 3,5 mm (1/8") TRS
Puissance de sortie efficace	2 x 75 mW sur 33 Ohms
Impédance de charge minimale	16 Ohms
Réponse en fréquence	18 Hz - 50 kHz (-0,5 dB)

**Référence produit****LDHPA2****Alimentation secteur**

Type	Externe, à découpage
Tension secteur	100 V à 240 V (+10 %), 50 - 60 Hz
Fusible secteur	Aucun
Tension de sortie	24 V, continue
Intensité de sortie	0,5 A
Connecteur sortie alimentation	Connecteur coaxial, diamètre 5,5 mm / pôle "+" au centre
Connecteur secteur	Externe Fiche secteur interchangeable
Classe de sûreté	Classe 3
Consommation électrique maximale	5 W (signal sinusoïdal 1 kHz, sur charge 2 x 33 Ohms)
Consommation électrique au repos	3,5 W (aucun signal d'entrée)
Consommation électrique en veille	< 1 W
Courant d'appel	1,7 A en 230 V
Température d'utilisation	0°C - 40°C ; < 85 % d'humidité, sans condensation

**Généralités**

Délai de mise en veille	Non applicable
Matériau	Châssis en acier, face avant en plastique
Dimensions (L x H x P)	106 (L) x 53 (H) x 225 (P) mm (hauteur avec pieds en caoutchouc)
Masse	0,850 kg
Accessoires livrés	Alimentation externe avec fiches secteur interchangeables, plaques de montage pour les applications en surface, borniers pour les connexions électriques

## MISE EN DÉCHETTERIE



### Emballage :

1. Les emballages peuvent être intégrés au circuit de recyclage par les voies de déchets habituelles.
2. Veuillez trier les emballages conformément aux lois sur l'élimination des déchets et aux décrets sur les matériaux recyclables en vigueur dans votre pays.



### Appareil :

1. Cet appareil est soumis à la directive européenne relative aux déchets d'équipements électriques et électroniques (DEEE) dans sa version actuelle. Directive WEEE Waste Electrical and Electronical Equipment. Les appareils usagés et les piles ne doivent pas être jetés avec les ordures ménagères. L'appareil usagé ou les piles doivent être éliminés par une entreprise de recyclage agréée ou par un service de recyclage communal. Veuillez respecter la réglementation en vigueur dans votre pays !
2. Respectez toutes les lois sur l'élimination des déchets en vigueur dans votre pays.
3. En tant que client privé, vous pouvez obtenir des informations sur les possibilités d'élimination respectueuses de l'environnement auprès du revendeur auprès duquel le produit a été acheté ou auprès des autorités régionales correspondantes.

## DÉCLARATIONS DU FABRICANT

### GARANTIE DU FABRICANT & LIMITATION DE RESPONSABILITÉ

Adam Hall GmbH, Adam-Hall-Str. 1, D-61267 Neu Anspach / E-Mail [Info@adamhall.com](mailto:Info@adamhall.com) / +49 (0)6081 / 9419-0.

Vous trouverez nos conditions de garantie actuelles et la limitation de responsabilité sur : [https://cdn-shop.adamhall.com/media/pdf/MANUFACTURERS-DECLARATIONS\\_LD\\_SYSTEMS.pdf](https://cdn-shop.adamhall.com/media/pdf/MANUFACTURERS-DECLARATIONS_LD_SYSTEMS.pdf).

En cas de service, adressez-vous à votre partenaire commercial.

### CONFORMITÉ CE

Par la présente, Adam Hall GmbH déclare que ce produit est conforme à la directive suivante (le cas échéant):

R&TTE (1999/5/CE) ou RED (2014/53/UE) à partir de juin 2017.

Directive basse tension (2014/35/EU)

Directive EMV (2014/30/EU)

RoHS (2011/65/EU)

La déclaration de conformité complète peut être consultée sur le site [www.adamhall.com](http://www.adamhall.com).

En outre, vous pouvez également la demander à l'adresse [info@adamhall.com](mailto:info@adamhall.com).

### DÉCLARATION DE CONFORMITÉ EU

Les déclarations de conformité pour les produits couverts par les directives LVD, EMC et RoHS peuvent être demandées à l'adresse [info@adamhall.com](mailto:info@adamhall.com).

Les déclarations de conformité pour les produits soumis à la directive RED, peuvent être obtenues à l'adresse [www.adamhall.com/compliance/](http://www.adamhall.com/compliance/).

**Sous réserve de fautes d'impression et d'erreurs, ainsi que de modifications techniques ou autres !**

## HA TOMADO LA DECISIÓN CORRECTA

Esta unidad ha sido diseñada y fabricada con altos estándares de calidad para garantizar muchos años de funcionamiento sin problemas. Esto es lo que representa LD Systems con su nombre y sus muchos años de experiencia como fabricante de productos de audio de alta calidad. Lea atentamente este manual de instrucciones para poder sacar rápidamente el máximo partido a su nuevo producto de LD Systems. Puede encontrar más información sobre **LD Systems** en nuestra página web [WWW.LD-SYSTEMS.COM](http://WWW.LD-SYSTEMS.COM)

## INFORMACIÓN SOBRE ESTAS INSTRUCCIONES DE USO

- Lea atentamente las instrucciones de seguridad y todo el manual antes de la puesta en marcha.
- Respete las advertencias del aparato y de las instrucciones de uso.
- Tenga siempre a mano el manual de instrucciones.
- Si vende o cede la unidad, asegúrese de entregar también estas instrucciones de uso, ya que son una parte esencial del producto.

## USO CONFORME A LA NORMATIVA

El producto es un dispositivo para la instalación de audio profesional.

El producto ha sido desarrollado para el uso profesional en el campo de la instalación de audio y no está destinado al uso doméstico.

Además, este producto está destinado a ser instalado por personas cualificadas con conocimientos especializados y a ser manejado por personas instruidas.

El uso del producto sin tener en cuenta de los datos técnicos y las condiciones de funcionamiento especificadas se considera un uso inadecuado.

Queda excluida la responsabilidad por daños y perjuicios a personas y bienes debido a un uso inadecuado. El producto no es adecuado para:

- Personas (incluidos niños) con capacidades físicas, sensoriales o mentales reducidas o con falta de experiencia o conocimientos.
- Niños (los niños deben ser instruidos para no jugar con el aparato).

## EXPLICACIONES DE TÉRMINOS Y SÍMBOLOS

1. **PELIGRO** : La palabra PELIGRO, posiblemente en combinación con un símbolo, indica inmediatamente situaciones o condiciones peligrosas para la vida y la integridad física.
2. **ADVERTENCIA** : La palabra ADVERTENCIA, posiblemente en combinación con un símbolo, indica situaciones o condiciones potencialmente peligrosas para la vida y la integridad física.
3. **CUIDADO** : La palabra CUIDADO, posiblemente en combinación con un símbolo, se utiliza para indicar situaciones o condiciones que pueden provocar lesiones.
4. **PRECAUCIÓN** : La palabra PRECAUCIÓN, posiblemente en combinación con un símbolo, se utiliza para indicar situaciones o condiciones que pueden provocar daños a la propiedad y/o al medio ambiente.



Este símbolo indica los peligros que pueden causar una descarga eléctrica.



Este símbolo indica los puntos de peligro o las situaciones peligrosas.



Este símbolo indica los peligros debidos a las superficies calientes.



Este símbolo indica los peligros debidos a niveles de volumen elevados.



Este símbolo indica información complementaria sobre el funcionamiento del producto.



Este símbolo indica una unidad que no contiene ninguna pieza reemplazable por el usuario.



Este símbolo indica que el equipo eléctrico está diseñado principalmente para su uso en interiores.

## INSTRUCCIONES DE SEGURIDAD



### PELIGRO:

1. No abra ni modifique la unidad.
2. Si el aparato deja de funcionar correctamente, si se han introducido líquidos u objetos en el interior del aparato, o si éste ha sufrido algún otro tipo de daño, apáguelo inmediatamente y desconéctelo de la red eléctrica. Este aparato sólo puede ser reparado por especialistas autorizados.
3. Para las unidades de la clase de protección 1, el conductor de tierra de protección debe estar conectado correctamente. No interrumpa nunca el conductor de protección de tierra. Los dispositivos de la clase de protección 2 no tienen un conductor de protección a tierra.
4. Asegúrese de que los cables con tensión no estén doblados o dañados mecánicamente.
5. Nunca puentee el fusible de la unidad.



### ADVERTENCIA:

1. La unidad no debe ponerse en funcionamiento si presenta daños evidentes.
2. La unidad sólo puede instalarse sin conectar a la corriente.
3. Si el cable de alimentación de la unidad está dañado, no utilice la unidad.
4. Los cables de red conectados permanentemente sólo pueden ser sustituidos por una persona cualificada.

**ATENCIÓN:**

1. No utilice el aparato si ha estado expuesto a grandes fluctuaciones de temperatura (por ejemplo, después del transporte). La humedad y la condensación podrían dañar la unidad. No encienda el aparato hasta que haya alcanzado la temperatura ambiente.
2. Asegúrese de que la tensión y la frecuencia de la red eléctrica coinciden con los valores indicados en el aparato. Si el aparato dispone de un selector de tensión, no lo conecte hasta que esté correctamente ajustado. Utilice únicamente cables de red adecuados.
3. Para desconectar el aparato de la red eléctrica en todos los polos, no basta con pulsar el interruptor de encendido/apagado del aparato.
4. Asegúrese de que el fusible utilizado corresponde al tipo impreso en la unidad.
5. Asegúrese de que se han tomado las medidas adecuadas contra la sobretensión (por ejemplo, la caída de un rayo).
6. Respete la corriente de salida máxima especificada en las unidades con conexión Power Out. Asegúrese de que el consumo total de corriente de todas las unidades conectadas no supera el valor especificado.
7. Sustituya los cables de red enchufables únicamente por cables originales.

**PELIGRO:**

1. ¡Peligro de asfixia! Las bolsas de plástico y las piezas pequeñas deben mantenerse fuera del alcance de las personas (incluidos los niños) con capacidades físicas, sensoriales o mentales reducidas.
2. ¡Peligro de caída! Asegúrese de que la unidad está bien instalada y no puede caerse. Utilice únicamente soportes o fijaciones adecuadas (especialmente para instalaciones permanentes). Asegúrese de que los accesorios están correctamente instalados y asegurados. Asegúrese de que se respetan las normas de seguridad aplicables.

**ADVERTENCIA:**

1. Utilice el aparato sólo de la manera prevista.
2. Utilice el aparato sólo con los accesorios recomendados y previstos por el fabricante.
3. Durante la instalación, respete las normas de seguridad aplicables en su país.
4. Después de conectar el aparato, compruebe todos los recorridos de los cables para evitar daños o accidentes, por ejemplo, por peligro de tropiezo.
5. Asegúrese de respetar la distancia mínima especificada con respecto a los materiales normalmente inflamables. Si no se indica explícitamente, la distancia mínima es de 0,3 m.

**ATENCIÓN:**

1. En el caso de los componentes móviles, como los soportes de montaje u otros componentes móviles, existe la posibilidad de que se produzcan atascos.
2. En el caso de las unidades con componentes accionados por motor, existe el riesgo de lesiones por el movimiento de la unidad. Los movimientos bruscos del equipo pueden provocar reacciones de sobresalto.





### ATENCIÓN:

1. No instale ni haga funcionar el aparato cerca de radiadores, registros de calor, estufas u otras fuentes de calor. Asegúrese siempre que la unidad está instalada de forma que esté suficientemente refrigerada y no pueda sobrecalentarse.
2. No coloque fuentes de ignición, como velas encendidas, cerca del aparato.
3. Las aberturas de ventilación no deben estar cubiertas y los ventiladores no deben estar bloqueados.
4. Utilice la protección original o la caja proporcionada por el fabricante para el transporte.
5. Evite golpes o impactos en la unidad.
6. Tenga en cuenta la clase de protección IP, así como las condiciones ambientales, como la temperatura y la humedad, según la especificación.
7. Los dispositivos pueden seguir desarrollándose constantemente. En caso de discrepancias entre las instrucciones de uso y el etiquetado del aparato en lo que respecta a las condiciones de funcionamiento, el rendimiento u otras características del aparato, siempre tiene prioridad la información del aparato.
8. La unidad no es adecuada para climas tropicales y para el funcionamiento por encima de los 2000 m sobre el nivel del mar.



### ATENCIÓN:

La conexión de los cables de señal puede provocar un ruido considerable. Asegúrese de que los dispositivos conectados a la salida están silenciados cuando se enchufan. De lo contrario, los niveles de ruido pueden causar daños.



### ¡ATENCIÓN A LOS PRODUCTOS DE AUDIO DE ALTO VOLUMEN!

Esta unidad está destinada a un uso profesional.

La operación comercial de este aparato está sujeta a las regulaciones y directrices nacionales aplicables para la prevención de accidentes.

Daños auditivos debidos a un volumen elevado y a una exposición continua: El uso de este producto puede generar niveles de presión sonora (SPL) elevados que pueden causar daños auditivos. Evitar la exposición a un volumen alto.



### NOTAS PARA LOS EQUIPOS DE INSTALACIÓN EN INTERIORES

1. Las unidades para aplicaciones de instalación están diseñadas para un funcionamiento continuo.
2. Las unidades para instalación en interiores no son resistentes a la intemperie.
3. Las superficies y las piezas de plástico de los equipos de instalación también pueden envejecer, por ejemplo, debido a la radiación UV y a las fluctuaciones de temperatura. Por lo general, esto no conlleva restricciones de funcionamiento.
4. En los equipos instalados de forma permanente es de esperar que se depositen impurezas, por ejemplo, polvo. Tenga en cuenta las instrucciones de cuidado.
5. A menos que se indique explícitamente lo contrario en la unidad, las unidades están previstas para alturas de instalación inferiores a 5 m.

## ELEMENTOS SUMINISTRADOS

Saque el producto del embalaje y retire todo el material de embalaje.

Compruebe que ha recibido en perfecto estado todos los componentes del equipo e informe al distribuidor inmediatamente después de la compra si nota algún daño o la falta de algún componente.

El producto se suministra con:

- 1x amplificador de auriculares HPA2
- 1x fuente de alimentación
- 1 juego de bloques de terminales
- 1 juego de montaje para montaje sobre la mesa o bajo la mesa
- 1 juego de pies de goma (premontados)
- Manual de usuario

## INTRODUCCIÓN

El HPA 2, que forma parte de la serie TICA®, es un amplificador de auriculares de dos canales diseñado para que la monitorización sea sencilla y versátil.

Las dos entradas de línea tienen controles de ganancia independientes. La conexión se realiza mediante un jack estándar de ¼" (6,35 mm) o bloques de terminales.

El HPA 2 cuenta con dos grupos de salidas de auriculares: 2 conectores minijack en la parte delantera y 2 conectores jack de ¼" en la parte trasera, así como dos salidas de línea con jacks de ¼" (6,35 mm). Se pueden conectar varios equipos en cadena para poder escuchar en grupo. Los indicadores de señal de entrada y de recorte ayudan a mantener todo bajo control.

El primer conmutador de SETTINGS permite que dos personas escuchen la misma señal estéreo o señales mono independientes. El segundo conmutador permite configurar los mandos de volumen para el volumen individual de los auriculares o bien un mando como nivel de salida independiente para el monitor.

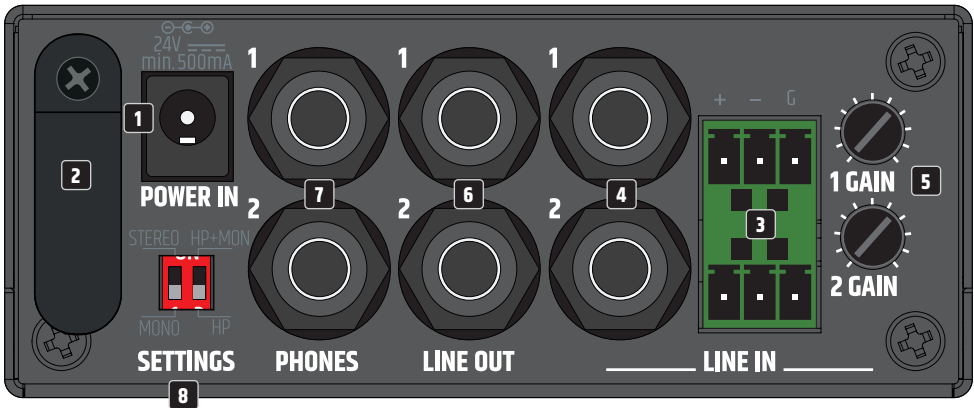
Su pequeño tamaño (106 x 53 x 225 mm) y las placas de montaje incluidas permiten instalarlo discretamente. Alternativamente, ocupa ¼ de rack de 19 pulgadas. Utiliza la bandeja de rack opcional para instalar hasta cuatro productos de la serie TICA® uno junto a otro y construir un sistema según tus requisitos exactos, ocupando el mínimo espacio de rack.

Es una excelente solución de monitorización para los profesionales del audio.

## CARACTERÍSTICAS

- Amplificador de auriculares de dos canales.
- Dos entradas de línea con controles de ganancia independientes.
- Dos salidas de nivel de línea.
- 2 conectores minijack (delante) y 2 conectores jack (detrás) para auriculares.
- Indicadores de señal y recorte en cada canal.
- Alimentación externa de 100 - 240 V

## CONEXIONES, CONTROLES E INDICADORES



### 1 POWER IN

Conector de baja tensión para alimentar el equipo. Para evitar daños en el aparato, utilice únicamente el adaptador de corriente original (adaptador de corriente suministrado).

### 2 SUJETACABLES

Utilice el sujetacables para el cable flexible del adaptador de corriente a fin de proteger la toma de alimentación eléctrica, el conector de alimentación y el cable del adaptador de corriente de posibles daños y para evitar desconexiones involuntarias.

### 3 LINE IN 1 + 2

Entradas de audio analógicas con conexiones de bloque de terminales balanceadas. Los pines +, - y G son para la señal de entrada balanceada (apta para cableado no balanceado). Los bloques de terminales se suministran con el equipo. Utilice alternativamente las entradas con las conexiones de regleta y los jacks.

### 4 LINE IN 1 + 2

Entradas de audio analógicas con jacks de 6,3 mm balanceados. Utilice alternativamente las entradas con las conexiones de regleta y los jacks.

### 5 GAIN 1 + 2

Potenciómetro para la sensibilidad de entrada de las entradas de línea LINE IN 1 y 2.

### 6 LINE OUT 1 + 2

Salidas de audio analógicas con jacks de 6,3 mm balanceados.

### 7 PHONES 1 + 2

Salidas de auriculares con jacks estéreo de 6,3 mm. Los jacks de 6,3 mm de la parte trasera están cableadas en paralelo con las tomas de 3,5 mm del panel frontal y pueden utilizarse juntas si es necesario. Asegúrese de que la impedancia total de los auriculares utilizados en paralelo no sea inferior a 16  $\Omega$ .

## 8 SETTINGS

### Conmutador 1 STEREO/MONO

**STEREO:** Una señal estéreo en LINE IN se emite en estéreo en las salidas de auriculares de la parte trasera y delantera y en las salidas de línea LINE OUT 1/2.

**MONO:** Una señal estéreo aplicada a LINE IN se emite como una señal mono sumada a las salidas de auriculares de la parte trasera y delantera. La señal se emite en estéreo en la salida de línea LINE OUT 1 / 2.

### Conmutador 2 HP+MON / HP

**HP+MON:** La señal LINE IN se envía a las salidas de auriculares de la parte trasera y delantera y a LINE OUT (por ejemplo, para alimentar monitores activos de estudio). El volumen de PHONES 1 y 2 se ajusta con VOLUME 1 en el panel frontal; el volumen de LINE OUT 1/2, con VOLUME 2.

**HP:** La señal presente en LINE IN se emite en las salidas de auriculares de la parte trasera y delantera y en LINE OUT 1 / 2. El volumen de PHONES 1 se ajusta con VOLUME 1 en el panel frontal, el volumen de PHONES 2 con VOLUME 2. El nivel de LINE OUT 1 / 2 no se ve afectado por los controles de volumen.



## 9 INTERRUPTOR DE ENCENDIDO/APAGADO Y SÍMBOLO DE ENCENDIDO

Pulse el botón para encender el equipo y de nuevo para apagarlo. En cuanto el HPA2 esté correctamente conectado a la red eléctrica y encendido, el símbolo de encendido se iluminará de color blanco.

## 10 PHONES 1 + 2

Salidas de auriculares con jacks estéreo de 3,5 mm. Los jacks de 6,3 mm de la parte trasera están cableadas en paralelo con las tomas de 3,5 mm del panel frontal y pueden utilizarse juntas si es necesario.

Asegúrese de que la impedancia total de los auriculares utilizados en paralelo no sea inferior a 16 Ω.

## 11 VOLUME 1 + 2

Dependiendo de la posición de los microinterruptores Settings de la parte posterior, los controles de nivel tienen funciones diferentes.

SETTINGS - HP: Un control de nivel para cada una de las salidas de auriculares 1 y 2.

SETTINGS - HP+MON: VOLUMEN 1 controla el volumen de las salidas de auriculares PHONES 1 y 2.

VOLUMEN 2 controla el volumen de la salida LINE OUT.

Gire el mando a la derecha para aumentar el nivel; a la izquierda para bajarlo.

Para evitar daños auditivos, baje el volumen al mínimo antes de utilizar cascos/auriculares o intraauriculares y altavoces. Después, aumente lentamente el volumen.

Precaución: Un volumen elevado puede dañar permanentemente el oído.

## 12 SIG 1 + 2 (SEÑAL)

En cuanto haya una señal de audio en las salidas de auriculares o en la salida LINE OUT, el indicador de señal correspondiente se iluminará de color blanco.

## 13 CLIP 1 + 2

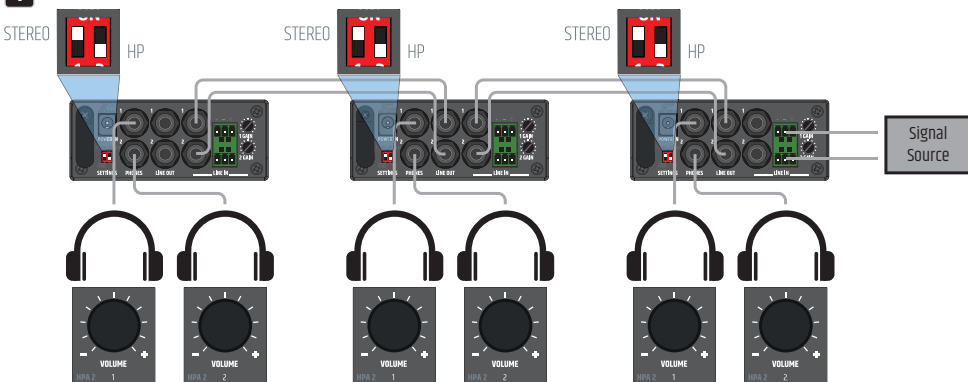
El indicador rojo CLIP se enciende cuando la salida correspondiente está sobrecargada. En este caso, reduzca el nivel de volumen. De lo contrario, el sonido será distorsionado y podrán producirse daños en el amplificador y en los auriculares o altavoces.

## VENTILADORES

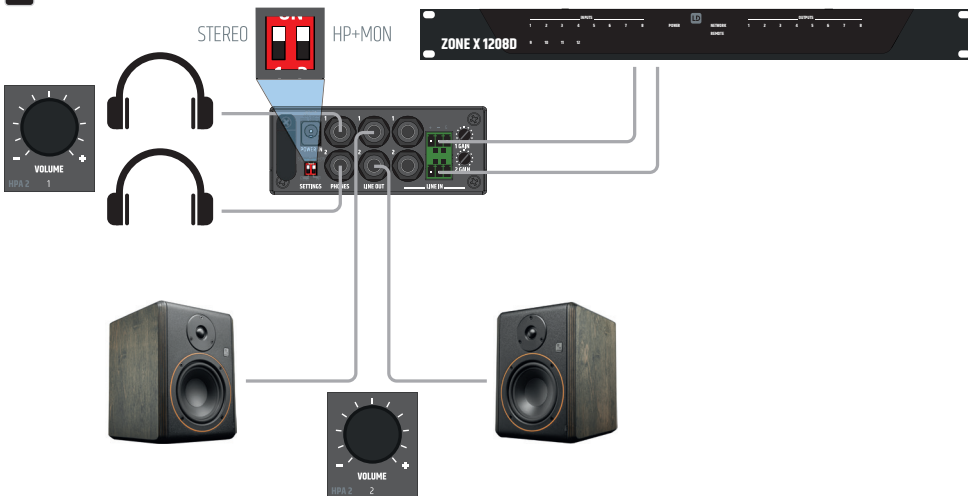
Para evitar daños en el equipo, no tape las aberturas de ventilación situadas en los laterales izquierdo y derecho y en la parte superior e inferior, y asegúrese de que el aire pueda circular libremente. No es un problema que las aberturas de ventilación de la parte superior o inferior del equipo quedan tapadas en caso de montaje debajo o encima de una mesa, ya que la refrigeración a través de las aberturas de ventilación de los lados restantes es suficiente.

## EJEMPLOS DE CONEXIÓN

1

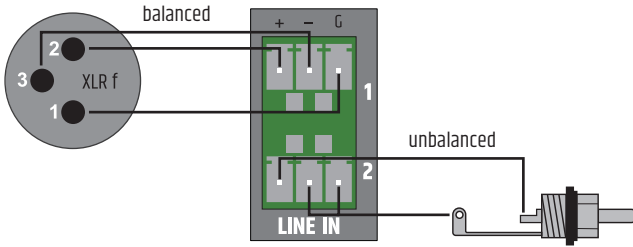


2



## CONEXIONES DEL BLOQUE DE TERMINALES

### CONEXIONES LINE IN



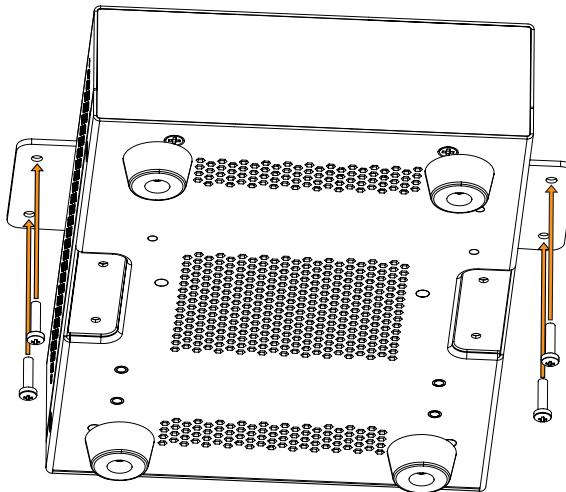
**ATENCIÓN:** Al cablear los bloques de terminales, tenga en cuenta la asignación correcta de los pines/terminales. El fabricante no se hace responsable de los daños causados por un cableado incorrecto.



**Consejo:** Utilice preferentemente cables de audio balanceados para el cableado de las entradas y salidas de línea analógicas.

## MONTAJE DEBAJO / SOBRE LA MESA

En la parte superior e inferior de la carcasa hay dos huecos, cada uno con dos orificios roscados M3, para montar el equipo debajo o encima de una mesa. Atornille las dos placas de montaje suministradas a la parte superior o inferior con los tornillos avellanados M3 suministrados. Ahora puede fijar el amplificador en la posición deseada (véase la figura, tornillos de fijación no suministrados). Para el montaje sobre una mesa, es necesario retirar previamente las cuatro patas de goma.



## CUIDADO, MANTENIMIENTO Y REPARACIÓN

Para garantizar el buen funcionamiento de la unidad a largo plazo, es necesario realizar un mantenimiento periódico y las revisiones necesarias. La necesidad de cuidado y mantenimiento depende de la intensidad de uso y del entorno.

Por lo general, recomendamos una inspección visual antes de cada puesta en marcha. Además, le recomendamos que lleve a cabo todas las medidas de mantenimiento que se indican a continuación cada 500 horas de funcionamiento o, en el caso de un uso menos intensivo, después de un año como máximo. Los defectos causados por un cuidado insuficiente pueden dar lugar a la limitación de los derechos de garantía.

### CUIDADO DEL EQUIPO (PUEDE SER REALIZADO POR EL USUARIO)



**ADVERTENCIA** Antes de realizar cualquier trabajo de mantenimiento, desconecte la alimentación eléctrica y, si es posible, todas las conexiones del aparato.



**¡ATENCIÓN!** Un cuidado inadecuado del equipo puede provocar el deterioro o incluso la destrucción de la unidad.

1. Las superficies de la carcasa deben limpiarse con un paño limpio y húmedo. Asegúrese de que no pueda penetrar la humedad en la unidad.
2. Las entradas y salidas de aire deben limpiarse regularmente de polvo y suciedad. Si se utiliza aire comprimido, asegúrese de que se evitan daños en la unidad (por ejemplo, los ventiladores deben estar bloqueados para este caso).
3. Los cables y los contactos de los enchufes deben limpiarse regularmente y liberarse del polvo y la suciedad.
4. En general, para el mantenimiento no se pueden utilizar agentes de limpieza, desinfectantes o agentes con efecto abrasivo, ya que de lo contrario el acabado de la superficie puede verse perjudicado. Especialmente los disolventes, como el alcohol, pueden perjudicar el funcionamiento de las juntas de la carcasa.
5. Por lo general, las unidades deben almacenarse en un lugar seco y protegido del polvo y la suciedad.

### MANTENIMIENTO Y REPARACIÓN (SÓLO POR PERSONAL CUALIFICADO)



**¡PELIGRO!** Hay piezas conductoras de tensión en el interior del equipo. Incluso después de desconectar la alimentación eléctrica, puede haber tensión residual en el equipo, por ejemplo, debido a condensadores cargados.



**¡NOTA!** En el equipo no hay componentes que pueda reparar el usuario.



**¡NOTA!** Los trabajos de mantenimiento y reparación solo pueden ser realizados por personal técnico cualificado. En caso de duda, consulte a un taller especializado.

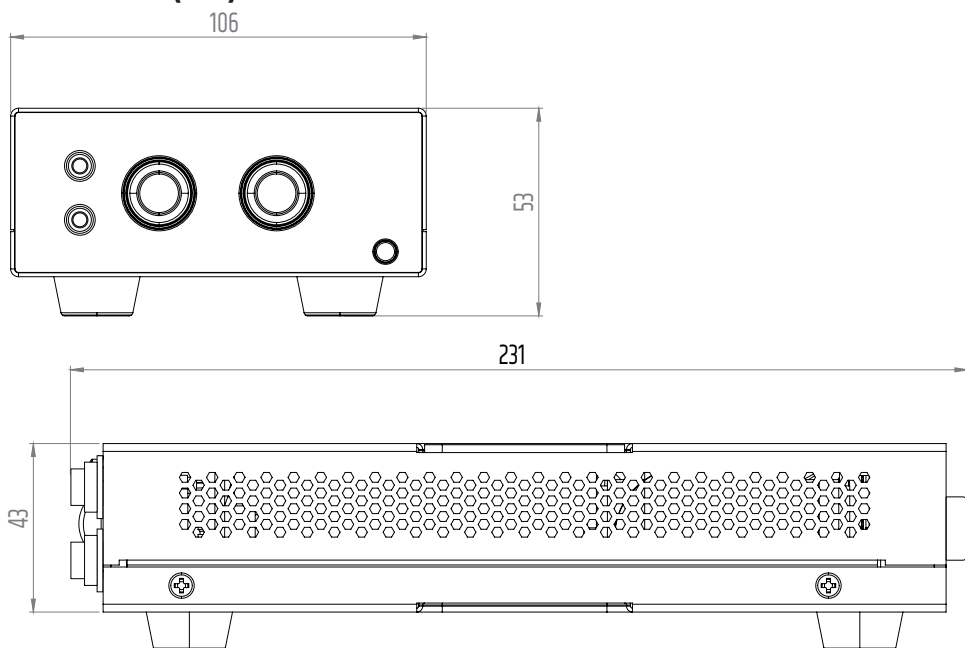


**¡NOTA!** Los trabajos de mantenimiento realizados indebidamente pueden afectar al derecho de garantía.



**¡NOTA!** Si se utilizan sets de conversión o reequipamiento, o accesorios suministrados por el fabricante, asegúrese de respetar el manual de instrucciones adjunto.

## DIMENSIONES (mm)



## CARACTERÍSTICAS TÉCNICAS

Referencia del producto	LDHPA2
Tipo de producto	Amplificador de auriculares doble para instalación
Entradas de línea	2
Conectores de entrada de línea	Entradas de línea balanceadas, paso de 3,81 mm en los bloques de terminales (3 pines), 2 x jacks TRS de 6,3 mm (1/4")
Salidas de línea	2
Salidas de potencia	2 estéreo
Refrigeración	Refrigeración por convección
Niveles de prioridad	1

### Sección de entrada

Sensibilidad nominal de entrada	-9 dBu
Saturación nominal de entrada	17 dBu
THD + ruido	< 0,03 %
Impedancia de entrada	15 kΩ (balanceado)
Relación señal-ruido	> 100 dB (SPK OUT, 14 dBu, ancho de banda 20 kHz, ponderación A)
CMRR	> 50 dB
Ganancia	12 dB máx.



**Referencia del producto****LDHPA2****Salida de línea**

Tipo	Balanceda
Modos de salida	Estéreo / mono, HP / HP+MON
Conector de salida de línea	2 x jacks TRS de 6,3 mm (1/4")
Nivel máx. de salida de línea	15 dBu
Respuesta en frecuencia	18 Hz - 50 kHz (-0,5 dB)

**Salida del amplificador de auriculares**

Tipo	Salida sin condensador de bloqueo de continua
Modos de salida	Estéreo / mono, HP / HP+MON
Conector de salida HP	2 x jacks TRS de 6,3 mm (1/4") o 2 x minijacks TRS de 3,5 mm (1/8")
Potencia de salida RMS	2 x 75 mW a 33 Ω
Impedancia mínima de carga	16 Ω
Respuesta en frecuencia	18 Hz - 50 kHz (-0,5 dB)

**Alimentación eléctrica**

Tipo	Fuente de alimentación conmutada externa
Tensiones	100 - 240 Vca ( $\pm 10\%$ ), 50 - 60 Hz
Fusible	No
Tensión secundaria	24 Vcc
Corriente secundaria	0,5 A
Conector secundario	Toma de 5,5 mm («+» pin interno)
Conector principal	Toma intercambiable de fuente de alimentación externa
Clasificación de seguridad	Clase 3
Consumo eléctrico máx.	5 W (sinusoidal a 1 kHz con 2 cargas de 33 Ω)
Consumo eléctrico en reposo	3,5 W (sin señal de entrada)
Consumo eléctrico en espera	< 1 W
Corriente de inicio	1,7 A a 230 Vca
Temperatura operativa	0 - 40 °C, < 85 % de humedad, sin condensación

**General**

Tiempo para entrar en espera	n. d.
Material	Chasis de acero, panel frontal de plástico
Dimensiones (an. x al. x f.):	106 x 53 x 225 mm (altura con pies de goma)
Peso	0,850 kg
Accesorios incluidos	Fuente de alimentación externa con tomas intercambiables, placas de montaje para aplicaciones de montaje en superficie, bloques de terminales para conexiones eléctricas.

## DISPOSICIÓN



### Embalaje:

1. Los envases pueden introducirse en el sistema de reciclaje a través de los canales habituales de eliminación.
2. Por favor, separe el embalaje de acuerdo con las leyes de eliminación y las normas de reciclaje de su país.



### Dispositivo:

1. Este aparato está sujeto a la Directiva Europea sobre Residuos de Aparatos Eléctricos y Electrónicos en su versión modificada. Directiva RAEE Residuos de aparatos eléctricos y electrónicos. Los electrodomésticos y las pilas viejas no deben depositarse en la basura doméstica. El aparato viejo o las pilas deben eliminarse a través de una empresa de eliminación de residuos autorizada o de una instalación municipal de eliminación de residuos. Respete la normativa vigente en su país
2. Respete todas las leyes de eliminación aplicables en su país.
3. Como cliente particular, puede obtener información sobre las opciones de eliminación respetuosa con el medio ambiente del distribuidor al que compró el producto o de las autoridades regionales pertinentes.

## DECLARACIONES DEL FABRICANTE

### GARANTÍA DEL FABRICANTE Y LIMITACIÓN DE RESPONSABILIDAD

Adam Hall GmbH, Adam-Hall-Str. 1, D-61267 Neu Anspach / E-Mail [Info@adamhall.com](mailto:Info@adamhall.com) / +49 (0)6081 / 9419-0.

Nuestras condiciones de garantía actuales y la limitación de responsabilidad se pueden encontrar en: [https://cdn-shop.adamhall.com/media/pdf/MANUFACTURERS-DECLARATIONS\\_LD\\_SYSTEMS.pdf](https://cdn-shop.adamhall.com/media/pdf/MANUFACTURERS-DECLARATIONS_LD_SYSTEMS.pdf). En caso de servicio, póngase en contacto con su distribuidor.

### CONFORMIDAD CE

Adam Hall GmbH declara por la presente que este producto cumple con la siguiente directiva (si procede):

RTTE (1999/5/CE) o RED (2014/53/UE) a partir de junio de 2017

Directiva de baja tensión (2014/35/UE)

Directiva EMV (2014/30/UE)

RoHS (2011/65/UE)

Puede consultar la declaración de conformidad completa en [www.adamhall.com](http://www.adamhall.com).

Además, también puede solicitarla en [info@adamhall.com](mailto:info@adamhall.com).

### DECLARACIÓN DE CONFORMIDAD DE LA EU

Las declaraciones de conformidad de los productos cubiertos por las Directivas LVD, EMC y RoHS pueden solicitarse en [info@adamhall.com](mailto:info@adamhall.com).

Las Declaraciones de Conformidad para productos sujetos a la Directiva RED pueden solicitarse en [www.adamhall.com/compliance/](http://www.adamhall.com/compliance/).

**Se reservan las erratas y los errores, así como los cambios técnicos o de otro tipo**

## DOKONAŁEŚ WŁAŚCIWEGO WYBORU!

Urządzenie to zostało zaprojektowane i wyprodukowane zgodnie z wysokimi standardami jakości, aby zapewnić wiele lat bezproblemowej pracy. To właśnie oznacza LD Systems ze swoją nazwą i wieloletnim doświadczeniem jako producent wysokiej jakości produktów audio. Prosimy o dokładne zapoznanie się z niniejszą instrukcją obsługi, aby szybko uzyskać jak najwięcej korzyści z nowego produktu LD Systems. Więcej informacji o **LD Systems** znajdziecie Państwo na naszej stronie internetowej [WWW.LD-SYSTEMS.COM](http://WWW.LD-SYSTEMS.COM)

## INFORMACJE DOTYCZĄCE NINIEJSZEJ INSTRUKCJI OBSŁUGI

- Przed uruchomieniem należy dokładnie przeczytać wskazówki bezpieczeństwa i całą instrukcję.
- Przestrzegać ostrzeżeń umieszczonych na urządzeniu oraz w instrukcji obsługi.
- Instrukcję obsługi należy zawsze przechowywać w zasięgu ręki.
- W przypadku sprzedaży lub przekazania urządzenia należy przekazać również niniejszą instrukcję obsługi, ponieważ stanowi ona istotną część produktu.

## STOSOWANIE ZGODNIE Z PRZEPISAMI

Produkt jest urządzeniem przeznaczonym do profesjonalnej instalacji audio!

Produkt został opracowany do profesjonalnego zastosowania w dziedzinie instalacji audio i nie jest przeznaczony do użytku w gospodarstwach domowych!

Ponadto produkt ten przeznaczony jest do instalacji przez osoby wykwalifikowane, posiadające specjalistyczną wiedzę oraz do obsługi przez osoby poinstruowane! Użytkowanie produktu poza podanymi danymi technicznymi i warunkami eksploatacji jest uważane za niezgodne z przeznaczeniem! Odpowiedzialność za szkody osobowe i rzeczowe osób trzecich, powstałe w wyniku nieprawidłowego użytkowania, jest wykluczona!

Produkt nie jest odpowiedni dla:

- Osoby (w tym dzieci) o ograniczonych możliwościach fizycznych, sensorycznych lub umysłowych lub braku doświadczenia i wiedzy.
- Dzieci (dzieci należy poinstruować, aby nie bawiły się urządzeniem).

## OBJAŚNIENIA TERMINÓW I SYMBOLI

1. **NIEBEZPIECZEŃSTWO** : Słowo NIEBEZPIECZEŃSTWO, ewentualnie w połączeniu z symbolem, wskazuje natychmiast sytuacje lub warunki niebezpieczne dla życia i zdrowia.
2. **OSTRZEŻENIE** : Słowo OSTRZEŻENIE, ewentualnie w połączeniu z symbolem, wskazuje na sytuacje lub warunki potencjalnie niebezpieczne dla życia i zdrowia.
3. **PRZESTROGA** : Słowo PRZESTROGA, ewentualnie w połączeniu z symbolem, jest używane do wskazania sytuacji lub warunków, które mogą prowadzić do obrażeń.
4. **PRZESTROGA** : Słowo PRZESTROGA, ewentualnie w połączeniu z symbolem, jest używane do wskazania sytuacji lub warunków, które mogą prowadzić do szkód materialnych i/lub środowiskowych.



Ten symbol wskazuje na zagrożenia, które mogą spowodować porażenie prądem.



Ten symbol oznacza miejsca niebezpieczne lub sytuacje niebezpieczne.



Ten symbol wskazuje na zagrożenia związane z gorącymi powierzchniami.



Ten symbol wskazuje na niebezpieczeństwo związane z wysokim poziomem głośności.



Ten symbol oznacza dodatkowe informacje dotyczące działania produktu.



Ten symbol oznacza urządzenie, które nie zawiera żadnych części wymienianych przez użytkownika.



Ten symbol oznacza sprzęt elektryczny przeznaczony głównie do użytku wewnątrz pomieszczeń.

## INSTRUKCJE BEZPIECZEŃSTWA



### NIEBEZPIECZEŃSTWO:

1. Nie należy otwierać ani modyfikować urządzenia.
2. Jeśli urządzenie nie działa prawidłowo, jeśli do jego wnętrza dostały się płyny lub przedmioty, lub jeśli urządzenie zostało uszkodzone w inny sposób, należy je natychmiast wyłączyć i odłączyć od zasilania. Urządzenie może być naprawiane wyłącznie przez autoryzowanych specjalistów.
3. W przypadku urządzeń klasy ochrony 1 należy prawidłowo podłączyć przewód ochronny. Nigdy nie przerywać przewodu ochronnego. Urządzenia klasy ochrony 2 nie posiadają przewodu ochronnego.
4. Upewnij się, że przewody pod napięciem nie są zagięte lub w inny sposób uszkodzone mechanicznie.
5. Nigdy nie należy omijać bezpiecznika urządzenia.



### OSTRZEŻENIE:

1. Nie wolno uruchamiać urządzenia, jeśli wykazuje ono widoczne uszkodzenia.
2. Urządzenie może być instalowane tylko w stanie bez napięcia.
3. Jeśli kabel sieciowy urządzenia jest uszkodzony, nie należy obsługiwać urządzenia.
4. Kable sieciowe podłączone na stałe mogą być wymieniane tylko przez wykwalifikowaną osobę.

**UWAGA:**

1. Nie należy eksploatować urządzenia, jeśli było ono narażone na duże wahania temperatury (np. po transporcie). Wilgoć i kondensacja mogą uszkodzić urządzenie. Nie włączać urządzenia, dopóki nie osiągnie ono temperatury otoczenia.
2. Upewnij się, że napięcie i częstotliwość sieci zasilającej odpowiadają wartościom podanym na urządzeniu. Jeśli urządzenie posiada przełącznik wyboru napięcia, nie należy podłączać urządzenia, dopóki nie zostanie on prawidłowo ustawiony. Stosować tylko odpowiednie kable sieciowe.
3. Aby odłączyć urządzenie od sieci na wszystkich biegunach, nie wystarczy nacisnąć włącznik/wyłącznik na urządzeniu.
4. Upewnij się, że użyty bezpiecznik odpowiada typowi wydrukowanemu na urządzeniu.
5. Upewnić się, że podjęto odpowiednie środki przeciwko przepięciu (np. uderzeniu pioruna).
6. W przypadku urządzeń z przyłączem Power Out należy przestrzegać podanego maksymalnego prądu wyjściowego. Upewnij się, że całkowity pobór prądu wszystkich podłączonych urządzeń nie przekracza podanej wartości.
7. Wtykowe kable sieciowe wymieniać tylko na oryginalne.

**NIEBEZPIECZEŃSTWO:**

1. Niebezpieczeństwo uduszenia! Plastikowe torby i małe części muszą być przechowywane poza zasięgiem osób (w tym dzieci) o ograniczonych możliwościach fizycznych, sensorycznych lub umysłowych.
2. Niebezpieczeństwo związane z upadkiem! Upewnij się, że urządzenie jest bezpiecznie zainstalowane i nie może spaść. Stosować tylko odpowiednie stojaki lub mocowania (szczególnie w przypadku instalacji stałych). Upewnij się, że akcesoria są prawidłowo zainstalowane i zabezpieczone. Upewnij się, że przestrzegane są obowiązujące przepisy bezpieczeństwa.

**OSTRZEŻENIE:**

1. Urządzenie należy używać tylko w sposób przewidziany.
2. Urządzenie należy eksploatować wyłącznie z akcesoriami zalecanymi i przeznaczonymi przez producenta.
3. Podczas instalacji należy przestrzegać przepisów bezpieczeństwa obowiązujących w danym kraju.
4. Po podłączeniu urządzenia należy sprawdzić wszystkie trasy przewodów, aby uniknąć uszkodzeń lub wypadków, np. z powodu niebezpieczeństwa potknięcia.
5. Należy przestrzegać podanego minimalnego odstępu od normalnie palnych materiałów! Jeśli nie jest to wyraźnie określone, minimalna odległość wynosi 0,3 m.

**UWAGA:**

1. W przypadku ruchomych elementów, takich jak uchwyty montażowe lub inne ruchome elementy, istnieje możliwość zakleszczenia.
2. W przypadku urządzeń z elementami napędzonymi silnikiem istnieje niebezpieczeństwo obrażeń spowodowanych ruchem urządzenia. Nagłe ruchy urządzeń mogą powodować reakcje zaskoczenia.

**UWAGA:**

1. Nie należy instalować ani obsługiwać urządzenia w pobliżu grzejników, rejestrów ciepła, pieców lub innych źródeł ciepła. Należy zawsze upewnić się, że urządzenie jest zainstalowane w taki sposób, że jest wystarczająco chłodzone i nie może się przegrzać.
2. W pobliżu urządzenia nie należy umieszczać źródeł zapłonu, takich jak płonące świece.
3. Nie wolno zakrywać otworów wentylacyjnych i blokować wentylatorów.
4. Do transportu należy używać oryginalnego opakowania lub opakowania dostarczonego przez producenta.
5. Unikać wstrząsów lub uderzeń w urządzenie.
6. Należy przestrzegać stopnia ochrony IP, jak również warunków otoczenia, takich jak temperatura i wilgotność, zgodnie ze specyfikacją.
7. Urządzenia mogą być stale rozwijane. W przypadku rozbieżności pomiędzy instrukcją obsługi a oznakowaniem urządzenia w odniesieniu do warunków pracy, wydajności lub innych cech urządzenia, pierwszeństwo mają zawsze informacje umieszczone na urządzeniu.
8. Urządzenie nie nadaje się do pracy w klimacie tropikalnym oraz do pracy powyżej 2000 m n.p.m.

**UWAGA:**

Podłączenie kabli sygnałowych może powodować znaczne zakłócenia. Upewnij się, że urządzenia podłączone do wyjścia są wyciszone po podłączeniu. W przeciwnym razie poziom hałasu może spowodować uszkodzenia.

**UWAGA PRODUKTY AUDIO O WYSOKIEJ GŁOŚNOŚCI!**

To urządzenie jest przeznaczone do użytku profesjonalnego.

Komersyjna eksploatacja tego urządzenia podlega obowiązującym krajowym przepisom i wytycznym dotyczącym zapobiegania wypadkom.

Uszkodzenie słuchu z powodu dużej głośności i ciągłego narażenia: Używanie tego produktu może powodować wysoki poziom ciśnienia akustycznego (SPL), który może spowodować uszkodzenie słuchu. Unikać ekspozycji na duże ilości.

**UWAGI DOTYCZĄCE SPRZĘTU DO INSTALACJI WEWNĘTRZNYCH**

1. Urządzenia do zastosowań instalacyjnych są przeznaczone do pracy ciągłej.
2. Jednostki do zastosowań w instalacjach wewnętrznych nie są odporne na warunki atmosferyczne.
3. Powierzchnie i części z tworzyw sztucznych urządzeń instalacyjnych mogą się również starzeć, np. na skutek promieniowania UV i wahań temperatury. Z reguły nie prowadzi to do ograniczeń funkcjonalnych.
4. W przypadku urządzeń zamontowanych na stałe należy spodziewać się osadzania zanieczyszczeń, np. kurzu. Należy przestrzegać wskazówek dotyczących pielęgnacji.
5. O ile na urządzeniu nie podano wyraźnie inaczej, urządzenia przeznaczone są do montażu na wysokości poniżej 5 m.

## ZAKRES DOSTAWY

Wyjąć produkt z opakowania i usunąć wszystkie materiały opakowaniowe. Proszę sprawdzić kompletność i integralność dostawy i niezwłocznie po zakupie powiadomić sprzedawcę, jeśli dostawa nie jest kompletna lub jest uszkodzona.

Opakowanie zawiera:

- 1 x wzmacniacz słuchawkowy HPA2
- 1 x zasilacz
- 1 x zestaw terminali zaciskowych
- 1 zestaw montażowy do montażu na blacie lub pod blatem
- 1 zestaw gumowych nóżek (wstępnie zmontowanych)
- INSTRUKCJA UŻYTKOWANIA

## WPROWADZENIE

Będący częścią serii TICA®, HPA 2 to dwukanałowy wzmacniacz słuchawkowy zaprojektowany tak, aby monitorowanie było elastyczne i łatwe.

Dwa wejścia liniowe mają niezależną kontrolę wzmocnienia. Podłącz za pomocą standardowego złącza jack 1/4" (6,35 mm) lub listwy zaciskowej.

HPA 2 jest wyposażony w dwa zestawy wyjść słuchawkowych - 2 x mini jack z przodu i 2 x 1/4" jack z tyłu, a także dwa wyjścia liniowe za pomocą gniazd 1/4" (6,35 mm). Połącz kilka urządzeń w łańcuch, aby stworzyć środowisko odsłuchu grupowego. Kontrolki sygnału wejściowego i klipu pomogą Ci utrzymać wszystko pod kontrolą.

Przełączniki konfiguracyjne pozwalają dwóm osobom słuchać tego samego sygnału stereo lub oddzielnych sygnałów mono. Dalsze opcje umożliwiają skonfigurowanie pokręteł głośności dla indywidualnej głośności słuchawek lub jednego jako oddzielnego poziomu wyjściowego monitora.

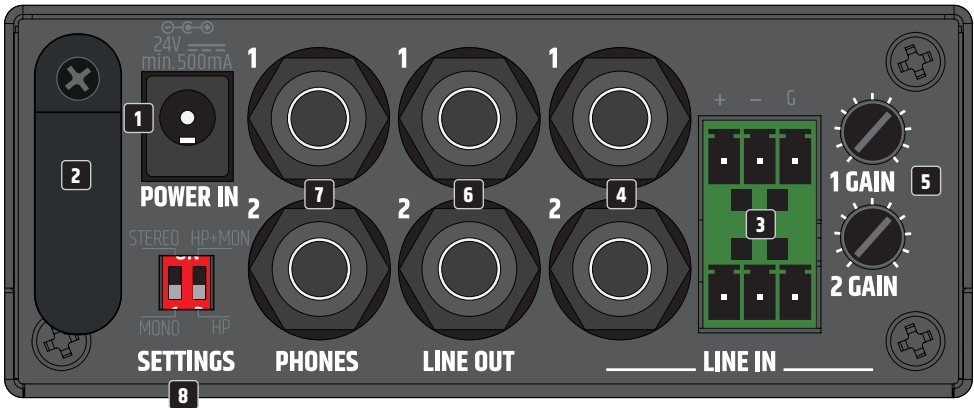
Niewielkie wymiary 106 x 53 x 225 mm i dołączone płytki montażowe pozwalają na dyskretną instalację. Alternatywnie, mieści się w rozmiarze 1/4 19-calowego rack. Za pomocą opcjonalnej półki rack można umieścić obok siebie do trzech produktów z serii TICA® i zbudować system spełniający dokładnie Państwa wymagania, wykorzystując minimalną ilość miejsca w szafie rack.

doskonałe rozwiązanie do monitorowania dla profesjonalistów audio.

## CHARAKTERYSTYKA

- Dwukanałowy wzmacniacz słuchawkowy
- Dwa wejścia liniowe z niezależnymi regulatorami wzmocnienia
- Dwa wyjścia liniowe
- Złącza słuchawkowe 2 x mini jack (przód) i 2 x jack (tył)
- Kontrolki sygnału i klipu na każdym kanale
- Zewnętrzne zasilanie 100 – 240V

## PRZYŁĄCZA, ELEMENTY OBSŁUGI I WSKAŹNIKI



### 1 POWER IN

Gniazdo niskiego napięcia do zasilania urządzenia. Aby uniknąć uszkodzenia urządzenia, proszę używać wyłącznie oryginalnego zasilacza (zasilacz w zestawie).

### 2 ZMNIJSZENIE OBCIĄŻENIA

Proszę użyć odciążenia elastycznego przewodu zasilacza, aby zabezpieczyć gniazdo niskiego napięcia, wtyczkę niskiego napięcia i przewód zasilacza przed uszkodzeniem i zapobiec przypadkowemu wyciągnięciu wtyczki.

### 3 LINE IN 1 + 2

Analogowe wejścia audio ze zbalansowanymi połączeniami bloku zacisków. Bieguny +, - i G są przeznaczone dla zbalansowanego sygnału wejściowego (nadają się do okablowania niezbalansowanego). Listwy zaciskowe znajdują się w zawartości opakowania. Proszę używać wyłącznie wejść z listwą zaciskową i alternatywnie gniazd jack.

### 4 LINE IN 1 + 2

Analogowe wejścia audio ze zbalansowanymi gniazdami jack 6,3 mm. Proszę używać wyłącznie wejść z listwą zaciskową i alternatywnie gniazd jack.

### 5 GAIN 1 + 2

Potencjometr czułości wejściowej wejść liniowych LINE IN 1 i 2.

### 6 LINE OUT 1 + 2

Analogowe wyjścia audio ze zbalansowanymi gniazdami jack 6,3 mm.

### 7 PHONES 1 + 2

Wyjścia słuchawkowe z gniazdami jack stereo 6,3 mm. Gniazda 6,3 mm z tyłu urządzenia są połączone równolegle z gniazdami 3,5 mm na panelu przednim i w razie potrzeby mogą być używane razem. Proszę upewnić się, że całkowita impedancja słuchawek używanych równolegle nie spadnie poniżej 16 omów.



## 8 USTAWIENIA

### Przełącznik 1 STEREO / MONO

**STEREO:** Sygnał stereo obecny na wejściu LINE IN jest wysyłany w stereo na wyjścia słuchawkowe z tyłu i z przodu oraz na wyjście liniowe LINE OUT 1 / 2.

**MONO:** Sygnał stereo doprowadzony do wejścia LINE IN jest wyprowadzany jako zsumowany sygnał mono do wyjść słuchawkowych z tyłu i z przodu. Sygnał jest wyprowadzany w stereo na wyjściu liniowym LINE OUT 1 / 2.

### Przełącznik 2 HP+MON / HP

**HP+MON:** Sygnał podany do wejścia LINE IN jest wyprowadzany do wyjść słuchawkowych z tyłu i z przodu oraz do wyjścia LINE OUT (np. w celuysterowania aktywnych monitorów studyjnych). Głośność PHONES 1 i 2 jest regulowana za pomocą VOLUME 1 na panelu przednim, głośność LINE OUT 1 / 2 za pomocą VOLUME 2.

**HP:** Sygnał obecny na wejściu LINE IN jest wyprowadzany na wyjścia słuchawkowe z tyłu i z przodu oraz na wyjście LINE OUT 1 / 2. Głośność PHONES 1 jest regulowana za pomocą VOLUME 1 na panelu przednim, głośność PHONES 2 za pomocą VOLUME 2. Na poziom LINE OUT 1 / 2 nie mają wpływu regulatory głośności.



## 9 PRZEŁĄCZNIK ON / OFF I SYMBOL ZASILANIA POWER

Proszę nacisnąć przycisk, aby włączyć urządzenie i ponownie, aby je wyłączyć. Gdy tylko HPA2 zostanie prawidłowo podłączony do zasilania i włączony, symbol zasilania zaświeci się na biało.

## 10 PHONES 1 + 2

Wyjścia słuchawkowe z gniazdami stereo jack 3,5 mm. Gniazda 6,3 mm na panelu tylnym są połączone równolegle z gniazdami 3,5 mm na panelu przednim i w razie potrzeby mogą być używane razem. Proszę upewnić się, że całkowita impedancja słuchawek używanych równolegle nie spada poniżej 16 omów.

## 11 VOLUME 1 + 2

W zależności od ustawienia przełącznika ustawień na panelu tylnym, regulatory poziomu mają różne funkcje. USTAWIENIE - HP: Po jednym regulatorze poziomym dla wyjść słuchawkowych 1 i 2.

USTAWIENIE - HP+MON: VOLUME 1 steruje głośnością wyjść słuchawkowych PHONES 1 i 2. VOLUME 2 steruje głośnością wyjścia LINE OUT.

Obrót w prawo zwiększa głośność, a obrót w lewo ją zmniejsza. Aby uniknąć uszkodzenia słuchu, przed użyciem słuchawek lub słuchawek dousznych i głośników należy ustawić głośność na minimum. Następnie proszę powoli zwiększać głośność. Uwaga, wysoki poziom głośności może trwale uszkodzić słuch.

**12 SIG 1 + 2 (SYGNAŁ)**

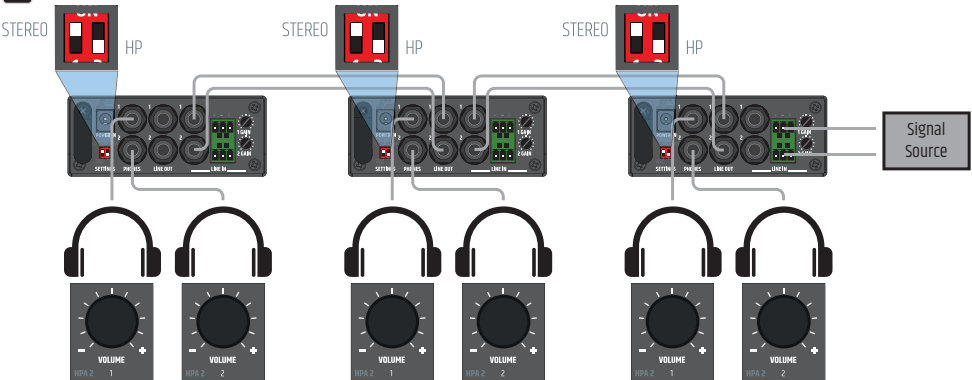
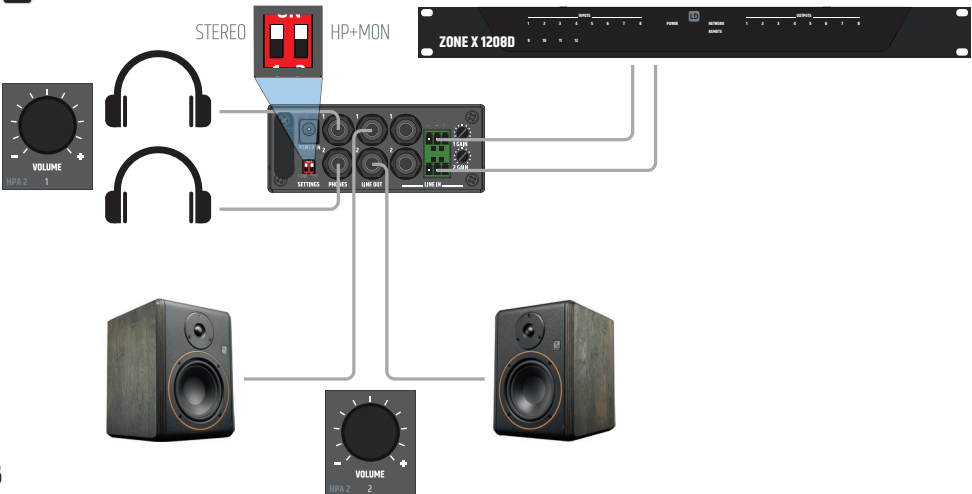
Gdy tylko na wyjściach słuchawkowych lub wyjściu LINE OUT pojawi się sygnał audio, odpowiedni wskaźnik sygnału zaświeci się na biało.

**13 CLIP 1 + 2**

Czerwony wskaźnik CLIP świeci się, gdy odpowiednie wyjście jest przesterowane. W takim przypadku należy zmniejszyć poziom głośności. Niezastosowanie się do tego zalecenia może spowodować zniekształcenie odtwarzanego dźwięku i uszkodzenie wzmacniacza oraz słuchawek lub głośników.

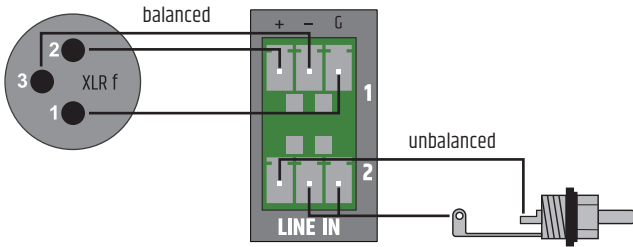
**OTWORY WENTYLACYJNE**

Aby zapobiec uszkodzeniu urządzenia, proszę nie zakrywać otworów wentylacyjnych po lewej i prawej stronie oraz na górze i na dole urządzenia i zapewnić swobodną cyrkulację powietrza. Zakrycie otworów wentylacyjnych na górze lub na dole obudowy w przypadku montażu pod lub na blacie nie jest konieczne, ponieważ chłodzenie zapewnione przez otwory wentylacyjne na pozostałych stronach obudowy jest wystarczające.

**PRZYKŁADY POŁĄCZEŃ****1****2**

## POŁĄCZENIA LISTWY ZACISKKOWEJ

### POŁĄCZENIA LINE IN



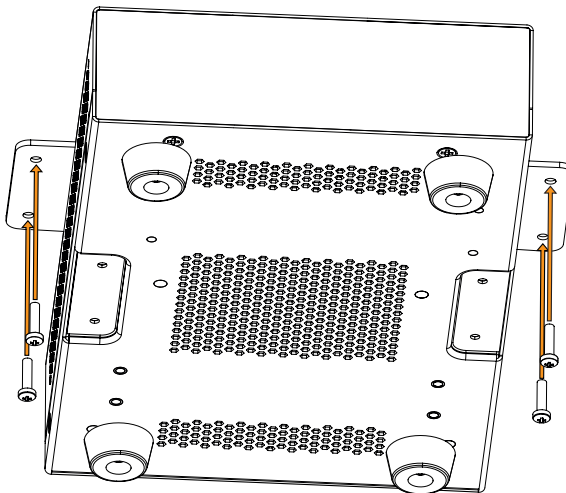
**UWAGA:** Podczas podłączania listw zaciskowych należy przestrzegać prawidłowego przyporządkowania biegunów/zacisków. Producent nie ponosi odpowiedzialności za szkody spowodowane wadliwym okablowaniem!



**Wskazówka:** Do okablowania analogowych wejść i wyjść liniowych najlepiej używać zbalansowanych kabli audio.

## MONTAŻ POD / NA BLACIE

Na górze i na dole obudowy znajdują się dwa wgłębienia, każde z dwoma otworami gwintowanymi M3, do montażu pod lub na blacie. Przykręcić dwie załączone płyty montażowe do górnej lub dolnej strony za pomocą załączonych śrub M3 z łbem stożkowym. Teraz można zamocować urządzenie w żądanej pozycji (patrz ilustracja, śruby mocujące nie są dołączone). W przypadku montażu na blacie, należy wcześniej zdjąć cztery gumowe nóżki.



## PIELĘGNACJA, KONSERWACJA I NAPRAWA

Aby zapewnić prawidłowe funkcjonowanie urządzenia w długim okresie czasu, należy je regularnie konserwować i serwisować w miarę potrzeb. Potrzeba pielęgnacji i konserwacji zależy od intensywności użytkowania i środowiska.

Generalnie zalecamy przeprowadzenie kontroli wzrokowej przed każdym uruchomieniem. Ponadto zalecamy wykonywanie wszystkich wymienionych poniżej czynności konserwacyjnych co 500 godzin pracy lub w przypadku mniej intensywnego użytkowania najpóźniej po roku. Usterki spowodowane niedostateczną pielęgnacją mogą spowodować ograniczenie roszczeń gwarancyjnych.

### CARE (MOŻE BYĆ PRZEPROWADZONA PRZEZ UŻYTKOWNIKA)



**OSTRZEŻENIE!** Przed przystąpieniem do prac konserwacyjnych należy odłączyć zasilanie elektryczne i w miarę możliwości wszystkie połączenia z urządzeniem.



**UWAGA!** Niewłaściwa pielęgnacja może doprowadzić do pogorszenia stanu technicznego lub nawet zniszczenia urządzenia.

1. Powierzchnie obudowy należy czyścić czystą, wilgotną szmatką. Upewnij się, że do urządzenia nie przedostaje się wilgoć.
2. Wloty i wyloty powietrza muszą być regularnie czyszczone z kurzu i zanieczyszczeń. W przypadku zastosowania sprężonego powietrza należy zwrócić uwagę, aby nie dopuścić do uszkodzenia urządzenia (np. wentylatory muszą być w tym przypadku zablokowane).
3. Kable i styki wtyczek muszą być regularnie czyszczone i uwalniane od kurzu i brudu.
4. Ogólnie rzecz biorąc, do konserwacji nie można stosować środków czyszczących, dezynfekujących ani środków o działaniu ściernym, ponieważ w przeciwnym razie może dojść do pogorszenia jakości wykończenia powierzchni. Szczególnie rozpuszczalniki, takie jak alkohol, mogą pogorszyć działanie uszczelek obudowy.
5. Urządzenia powinny być zasadniczo przechowywane w suchym miejscu i chronione przed kurzem i brudem.

### KONSERWACJA I NAPRAWA (TYLKO PRZEZ WYKWALIFIKOWANY PERSONEL)



**NIEBEZPIECZEŃSTWO!** W urządzeniu znajdują się elementy pod napięciem. Nawet po odłączeniu zasilania sieciowego w urządzeniu może nadal występować napięcie szczytowe, na przykład z powodu naładowanych kondensatorów.



**UWAGA!** W urządzeniu nie ma podzespołów, które mogą być serwisowane przez użytkownika.



**UWAGA!** Prace konserwacyjne i naprawcze mogą być wykonywane wyłącznie przez odpowiednio wykwalifikowany personel specjalistyczny. W razie wątpliwości proszę skonsultować się ze specjalistycznym serwisem.

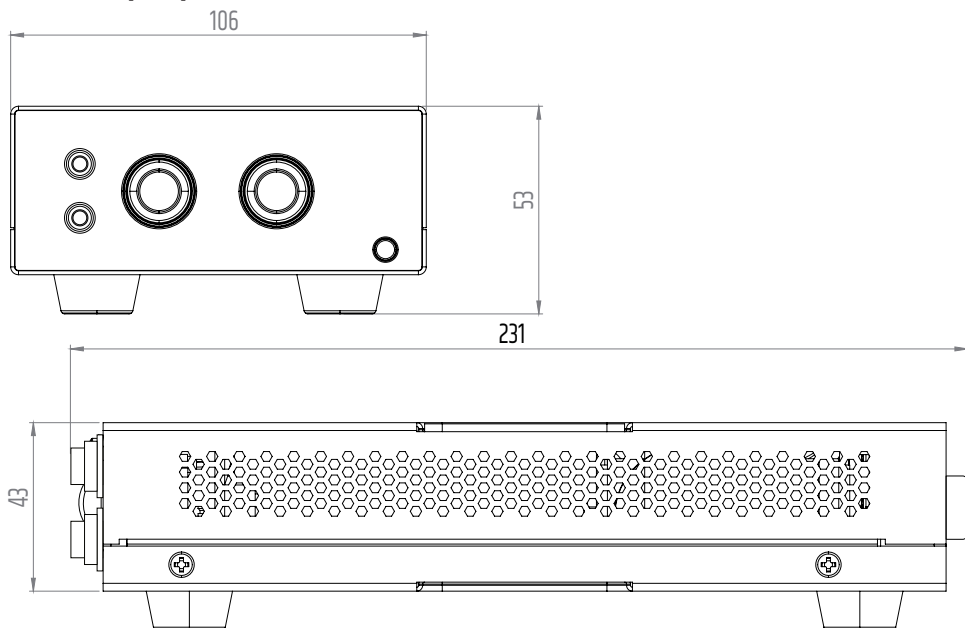


**UWAGA!** Nieprawidłowo wykonane prace konserwacyjne mogą mieć wpływ na roszczenia gwarancyjne.



**UWAGA!** W przypadku zestawów do konwersji lub modernizacji dostarczonych przez producenta, należy bezwzględnie przestrzegać załączonych instrukcji montażu.

## WYMIARY (mm)



## DANE TECHNICZNE

Numer artykułu	LDHPA2
Typ produktu	Instalacyjny podwójny wzmacniacz słuchawkowy
Wejścia liniowe	2
Złącza wejść liniowych:	Zbalansowane wejścia liniowe, skok 3,81 mm blok zacisków (3-pin) / 2x 6,3 mm (1/4") TRS
Wyjścia liniowe	2
Wyjścia zasilane	2 Stereo
System chłodzenia	Chłodzenie konwekcyjne
Poziomy priorytetu	1

### Sekcja wejściowa

Znamionowa czułość wejścia	9 dBu
Znamionowe przesterowanie wejścia	17 dBu
THD+N	< 0,03%
Impedancja wejścia	15 kOhm (zbalansowany)
SNR	> 100 dB (HP1/2 OUT, 14 dBu, 20 kHz BW, a-ważone)
CMRR	> 50 dB
Wzmocnienie	Maks. 12dB

**Numer artykułu****LDHPA2****Wyjście liniowe**

Typ	Zbalansowane
Tryby wyjścia	Stereo/Mono, HP/HP+MON
Złącze wyjścia liniowego	2 x 6,3 mm (1/4") TRS
Maks. poziom wyjścia liniowego	15 dBu
Pasma przenoszenia	18 Hz – 50 kHz (-0,5 dB)

**Wyjście wzmacniacza słuchawkowego**

Typ	Wyjście bez-kondensatorowe
Tryby wyjścia	Stereo/Mono, HP/HP+MON
Złącze HP Out	2 x 6,3 mm (1/4") TRS lub 2x 3,5 mm (1/8") TRS
Moc wyjściowa RMS	2 x 75 mW @ 33ohm
Minimalna impedancja obciążenia	16 Ohm
Pasma przenoszenia	18 Hz – 50 kHz (-0,5 dB)

**Zasilanie**

Typ	Zewnętrzny zasilacz SMPS
Zakres napięcia	100 V AC – 240 V AC (+/-10%), 50 – 60 Hz
Bezpiecznik zasilania sieciowego	Brak
Napięcie wtórne	24 V DC
Prąd wtórny	0,5A
Złącze dodatkowe	Złącze baryłkowe 5,5 mm / "+" wewnątrz
Złącze główne	Ext. Wymienna wtyczka zasilacza
Klasa bezpieczeństwa	Klasa 3
Maks. pobór mocy	5W (sinus 1kHz z obciążeniem 2x 33 ohm)
Pobór mocy w stanie bezczynności	3,5 W (brak sygnału wejściowego)
Pobór mocy w stanie gotowości	< 1 W
Prąd rozruchowy sieci	1,7A @ 230V AC
Temperatura robocza	0°C – 40°C; wilgotność < 85%, bez kondensacji

**Ogólna charakterystyka**

Czas do przejścia w stan gotowości	N.A.
Materiał	Obudowa stalowa, panel przedni z tworzywa sztucznego
Wymiary (szer. x wys. x dł.)	106 (szer.) x 53 (wys.) x 225 (gł.) mm (wysokość z gumowymi nóżkami)
Waga	0,850 kg
Dołączone akcesoria	Zewnętrzny zasilacz z wymiennymi wtyczkami, płyty montażowe do montażu powierzchniowego, listwy zaciskowe do połączeń elektrycznych

## DYSPOZYCJA



### Pakowanie:

1. Opakowania mogą być wprowadzane do systemu recyklingu poprzez zwykłe kanały utylizacji.
2. Prosimy o oddzielenie opakowania zgodnie z przepisami dotyczącymi utylizacji i recyklingu obowiązującymi w danym kraju.



### Urządzenie:

1. Niniejsze urządzenie podlega europejskiej dyrektywie w sprawie zużytego sprzętu elektrycznego i elektronicznego z późniejszymi zmianami. Dyrektywa WEEE Zużyty sprzęt elektryczny i elektroniczny. Stare urządzenia i baterie nie należą do odpadów domowych. Stare urządzenie lub baterie należy oddać do utylizacji za pośrednictwem autoryzowanego przedsiębiorstwa utylizacji odpadów lub zakładu utylizacji odpadów komunalnych. Należy przestrzegać przepisów obowiązujących w danym kraju!
2. Przestrzegać wszystkich przepisów dotyczących utylizacji obowiązujących w danym kraju.
3. Jako klient prywatny możesz uzyskać informacje na temat możliwości utylizacji przyjaznej dla środowiska od sprzedawcy, u którego zakupiono produkt lub od odpowiednich władz regionalnych.

## ÓSWIADCZENIA PRODUCENTA

### GWARANCJA PRODUCENTA I OGRANICZENIE ODPOWIEDZIALNOŚCI

Adam Hall GmbH, Adam-Hall-Str. 1, D-61267 Neu Anspach / E-Mail [info@adamhall.com](mailto:info@adamhall.com) / +49 (0)6081 / 9419-0.

Nasze aktualne warunki gwarancji i ograniczenia odpowiedzialności znajdują się na stronie: [https://cdn-shop.adamhall.com/media/pdf/MANUFACTURERS-DECLARATIONS\\_LD\\_SYSTEMS.pdf](https://cdn-shop.adamhall.com/media/pdf/MANUFACTURERS-DECLARATIONS_LD_SYSTEMS.pdf). W przypadku serwisu prosimy o kontakt z partnerem handlowym.

### ZGODNOŚĆ CE

Adam Hall GmbH oświadcza niniejszym, że ten produkt jest zgodny z następującą dyrektywą (jeśli dotyczy):

R&TTE (1999/5/EC) lub RED (2014/53/EU) od czerwca 2017 r.

Dyrektywa niskonapięciowa (2014/35/UE)

Dyrektywa EMV (2014/30/UE)

RoHS (2011/65/EU)

Pełna deklaracja zgodności znajduje się na stronie [www.adamhall.com](http://www.adamhall.com).

Ponadto można ją również zamówić na stronie [info@adamhall.com](mailto:info@adamhall.com).

### DEKLARACJA ZGODNOŚCI EU

Deklaracje zgodności dla produktów objętych dyrektywami LVD, EMC i RoHS można zamówić na stronie [info@adamhall.com](mailto:info@adamhall.com).

Deklaracje zgodności dla produktów podlegających dyrektywie RED, można uzyskać na stronie [www.adamhall.com/compliance/](http://www.adamhall.com/compliance/).

**Pomyłki i błędy, jak również zmiany techniczne lub inne są zastrzeżone!**

**AVETE FATTO LA SCELTA GIUSTA!**

Questa unità è stata progettata e prodotta secondo standard di alta qualità per garantire un funzionamento senza problemi per molti anni. Questo è ciò che LD Systems rappresenta con il suo nome e la sua pluriennale esperienza come produttore di prodotti audio di alta qualità. Leggere attentamente le presenti istruzioni per l'uso in modo da poter sfruttare al meglio il nuovo prodotto LD Systems.

Ulteriori informazioni su **LD Systems** sono disponibili sul nostro sito web [WWW.LD-SYSTEMS.COM](http://WWW.LD-SYSTEMS.COM)

**INFORMAZIONI SU QUESTE ISTRUZIONI PER L'USO**

- Prima della messa in funzione, leggere attentamente le istruzioni di sicurezza e l'intero manuale.
- Osservare le avvertenze riportate sull'apparecchio e nelle istruzioni per l'uso.
- Tenere sempre a portata di mano le istruzioni per l'uso.
- In caso di vendita o cessione dell'apparecchio, assicurarsi di consegnare anche le presenti istruzioni per l'uso, in quanto costituiscono una parte essenziale del prodotto.

**UTILIZZO IN CONFORMITÀ ALLE NORMATIVE**

Il prodotto è un dispositivo per l'installazione audio professionale!

Il prodotto è stato sviluppato per l'uso professionale nel campo dell'installazione audio e non è destinato all'uso domestico!

Inoltre, questo prodotto è destinato all'installazione da parte di persone qualificate con conoscenze specifiche e all'uso da parte di persone istruite!

L'uso del prodotto al di fuori dei dati tecnici e delle condizioni operative specificate è considerato un uso improprio!

È esclusa la responsabilità per danni a persone e cose dovuti a un uso improprio!

Il prodotto non è adatto a:

- Persone (compresi i bambini) con ridotte capacità fisiche, sensoriali o mentali o con mancanza di esperienza e conoscenza.
- Bambini (i bambini devono essere istruiti a non giocare con l'apparecchio).

**SPIEGAZIONI DI TERMINI E SIMBOLI**

1. **PERICOLO** : la parola PERICOLO, eventualmente in combinazione con un simbolo, indica immediatamente situazioni o condizioni pericolose per la vita e l'incolumità delle persone.
2. **AVVERTENZA** : la parola AVVERTENZA, eventualmente abbinata a un simbolo, indica situazioni o condizioni potenzialmente pericolose per la vita e l'incolumità delle persone.
3. **ATTENZIONE** : la parola ATTENZIONE, eventualmente abbinata a un simbolo, viene utilizzata per indicare situazioni o condizioni che possono provocare lesioni.
4. **ATTENZIONE** : la parola ATTENZIONE, eventualmente abbinata a un simbolo, viene utilizzata per indicare situazioni o condizioni che possono causare danni a cose e/o all'ambiente.





Questo simbolo indica i pericoli che possono causare scosse elettriche.



Questo simbolo indica punti di pericolo o situazioni pericolose.



Questo simbolo indica i pericoli dovuti alle superfici calde.



Questo simbolo indica i pericoli dovuti a livelli di volume elevati.



Questo simbolo indica informazioni supplementari sul funzionamento del prodotto.



Questo simbolo indica un'unità che non contiene parti sostituibili dall'utente.



Questo simbolo indica un'apparecchiatura elettrica progettata principalmente per l'uso in interni.

## ISTRUZIONI DI SICUREZZA



### PERICOLO:

1. Non aprire o modificare l'unità.
2. Se l'apparecchio non funziona più correttamente, se liquidi o oggetti sono penetrati all'interno dell'apparecchio o se l'apparecchio è stato danneggiato in qualsiasi altro modo, spegnerlo immediatamente e scollegarlo dall'alimentazione. Questo apparecchio può essere riparato solo da personale specializzato autorizzato.
3. Per le unità di classe di protezione 1, il conduttore di terra deve essere collegato correttamente. Non interrompere mai il conduttore di protezione. I dispositivi della classe di protezione 2 non dispongono di un conduttore di terra di protezione.
4. Assicurarsi che i cavi sotto tensione non siano attorcigliati o danneggiati meccanicamente in altro modo.
5. Non escludere mai il fusibile dell'apparecchio.



### ATTENZIONE:

1. L'apparecchio non deve essere messo in funzione se presenta danni evidenti.
2. L'unità può essere installata solo in stato di assenza di tensione.
3. Se il cavo di alimentazione dell'apparecchio è danneggiato, non mettere in funzione l'apparecchio.
4. I cavi di rete collegati in modo permanente possono essere sostituiti solo da personale qualificato.

**ATTENZIONE:**

1. Non mettere in funzione l'unità se è stata esposta a forti sbalzi di temperatura (ad esempio, dopo il trasporto). L'umidità e la condensa potrebbero danneggiare l'unità. Non accendere l'unità finché non ha raggiunto la temperatura ambiente.
2. Assicurarsi che la tensione e la frequenza della rete di alimentazione corrispondano ai valori indicati sull'apparecchio. Se l'unità è dotata di un selettore di tensione, non collegare l'unità finché non è impostata correttamente. Utilizzare esclusivamente cavi di rete idonei.
3. Per scollegare l'apparecchio dalla rete elettrica in tutti i poli, non è sufficiente premere l'interruttore di accensione/spengimento dell'apparecchio.
4. Assicurarsi che il fusibile utilizzato corrisponda al tipo stampato sull'unità.
5. Assicurarsi che siano state adottate misure adeguate contro le sovratensioni (ad es. fulmini).
6. Rispettare la corrente di uscita massima specificata per le unità con collegamento Power Out. Assicurarsi che l'assorbimento totale di corrente di tutte le unità collegate non superi il valore specificato.
7. Sostituire i cavi di rete collegabili solo con quelli originali.

**PERICOLO:**

1. Pericolo di soffocamento! I sacchetti di plastica e le piccole parti devono essere tenuti fuori dalla portata di persone (compresi i bambini) con ridotte capacità fisiche, sensoriali o mentali.
2. Pericolo di caduta! Assicurarsi che l'unità sia installata in modo sicuro e non possa cadere. Usare solo supporti o supporti adeguati (soprattutto per le installazioni permanenti). Assicurarsi che gli accessori siano installati e fissati correttamente. Assicurarsi che vengano rispettate le norme di sicurezza applicabili.

**ATTENZIONE:**

1. Utilizzare l'apparecchio solo nel modo previsto.
2. Utilizzare l'apparecchio solo con gli accessori raccomandati e previsti dal produttore.
3. Durante l'installazione, rispettare le norme di sicurezza vigenti nel proprio Paese.
4. Dopo aver collegato l'unità, controllare tutti i percorsi dei cavi per evitare danni o incidenti, ad esempio per il rischio di inciampare.
5. Rispettare la distanza minima specificata dai materiali normalmente infiammabili! Se non è esplicitamente indicato, la distanza minima è di 0,3 m.

**ATTENZIONE:**

1. Nel caso di componenti mobili, come le staffe di montaggio o altri componenti mobili, esiste la possibilità di incepparsi.
2. Nel caso di unità con componenti a motore, esiste il rischio di lesioni dovute al movimento dell'unità. I movimenti improvvisi dell'apparecchiatura possono provocare reazioni di spavento.



### ATTENZIONE:

1. Non installare o far funzionare l'apparecchio in prossimità di radiatori, bocchette di calore, stufe o altre fonti di calore. Assicurarsi sempre che l'unità sia installata in modo da essere sufficientemente raffreddata e da non surriscaldarsi.
2. Non collocare fonti di accensione come candele accese vicino all'apparecchio.
3. Le aperture di ventilazione non devono essere coperte e le ventole non devono essere bloccate.
4. Per il trasporto, utilizzare l'imballaggio originale o quello fornito dal produttore.
5. Evitare urti o colpi all'unità.
6. Rispettare la classe di protezione IP e le condizioni ambientali, quali temperatura e umidità, secondo le specifiche.
7. I dispositivi possono essere costantemente sviluppati. In caso di discrepanze tra le istruzioni per l'uso e l'etichetta dell'apparecchio per quanto riguarda le condizioni di funzionamento, le prestazioni o altre caratteristiche dell'apparecchio, le informazioni sull'apparecchio hanno sempre la precedenza.
8. L'unità non è adatta ai climi tropicali e al funzionamento al di sopra dei 2000 m di altitudine.
9. Se non esplicitamente indicato, il dispositivo non è adatto al funzionamento in condizioni marine.



### ATTENZIONE:

Il collegamento dei cavi di segnale può causare un notevole rumore. Assicurarsi che i dispositivi collegati all'uscita siano silenziosi quando sono collegati. In caso contrario, i livelli di rumore possono causare danni.



### ATTENZIONE AI PRODOTTI AUDIO AD ALTO VOLUME!

Questa unità è destinata all'uso professionale.

Il funzionamento commerciale di questo apparecchio è soggetto alle normative e alle linee guida nazionali applicabili per la prevenzione degli incidenti.

Danni all'udito dovuti al volume elevato e all'esposizione continua: l'uso di questo prodotto può generare livelli di pressione sonora (SPL) elevati che possono causare danni all'udito. Evitare l'esposizione a volumi elevati.



### NOTE PER LE APPARECCHIATURE DI INSTALLAZIONE ALL'INTERNO

1. Le unità per applicazioni di installazione sono progettate per il funzionamento continuo.
2. Le unità per installazione interna non sono resistenti alle intemperie.
3. Anche le superfici e le parti in plastica delle apparecchiature di installazione possono invecchiare, ad esempio a causa dei raggi UV e delle variazioni di temperatura. In genere, ciò non comporta limitazioni funzionali.
4. In caso di installazione permanente, è prevedibile il deposito di impurità, ad esempio polvere. Osservare le istruzioni per la manutenzione.
5. A meno che non sia esplicitamente indicato diversamente sull'unità, le unità sono destinate ad altezze di installazione inferiori a 5 m.

## DOTAZIONE

Estrarre il prodotto dalla confezione e rimuovere tutto il materiale di imballaggio. Verificare la completezza e l'integrità della consegna e informare il proprio distributore di fiducia immediatamente dopo l'acquisto in caso di consegna incompleta o danneggiata.

In dotazione con il prodotto viene fornito:

- 1 amplificatore per cuffie HPA2
- 1 adattatore
- 1 set di morsettiere
- 1 set di montaggio per il montaggio sopra o sotto tavolo
- 1 set di piedini in gomma (preassemblati)
- Manuale d'istruzioni

## INTRODUZIONE

L'HPA 2 è un amplificatore per cuffie a due canali della serie TICA® progettato per agevolare e semplificare il monitoraggio.

I due ingressi di linea hanno un controllo del guadagno indipendente. Per collegarli si utilizzano jack standard da ¼" (6,35 mm) o connessioni a morsettiere.

L'HPA 2 ha due gruppi di uscite per le cuffie (2 mini jack sul davanti e 2 jack da ¼" sul retro) e due uscite di linea per jack da ¼" (6,35 mm). Con una connessione a margherita si possono collegare tra loro più unità per creare ambienti di ascolto di gruppo. Le spie del segnale di ingresso e del clip consentono di tenere tutto sotto controllo.

Degli interruttori SETTINGS, il primo consente a due persone di ascoltare lo stesso segnale stereo oppure segnali mono indipendenti, mentre il secondo permette di configurare le manopole del volume e impostare il volume delle singole cuffie, oppure una manopola come livello di uscita indipendente per il monitor.

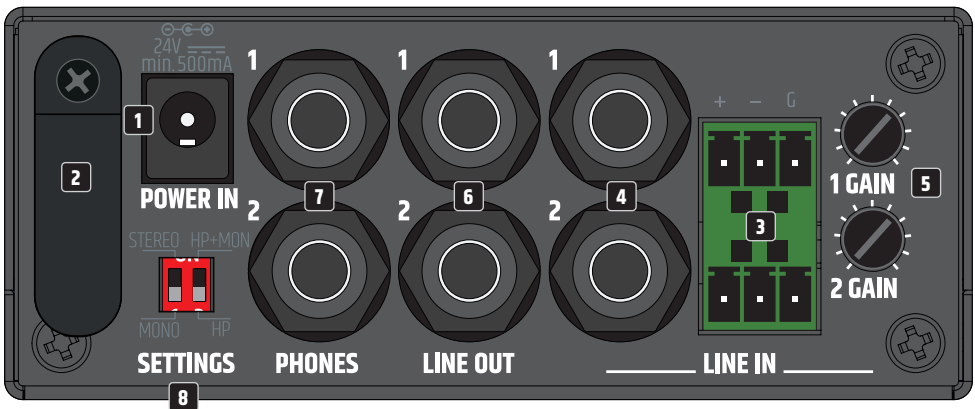
Il ridottissimo formato, 106 x 53 x 225 mm, e le piastre di montaggio fornite in dotazione permettono un'installazione a scomparsa. Si può anche inserire in ¼ di rack da 19". Con il vassoio rack opzionale si possono affiancare fino a quattro prodotti della serie TICA® e realizzare un sistema che risponda alle proprie esigenze sfruttando uno spazio rack minimo.

Una soluzione di monitoraggio ideale per i professionisti del suono.

## CARATTERISTICHE

- Amplificatore per cuffie a due canali
- Due ingressi di linea con controlli di guadagno indipendenti
- Due uscite a livello di linea
- 2 connettori mini jack (davanti) e 2 connettori jack (dietro) per le cuffie
- Spie di segnale e clip su ogni canale
- Alimentatore esterno da 100 - 240 V

## CONNESSIONI, ELEMENTI DI COMANDO E INDICATORI



### 1 POWER IN

Presa di bassa tensione per l'alimentazione elettrica del dispositivo. Per evitare di danneggiare il dispositivo, utilizzare unicamente l'adattatore originale (fornito in dotazione).

### 2 DISPOSITIVO ANTISTRAPPO

Utilizzare il dispositivo antistrappo per bloccare il cavo flessibile dell'adattatore e proteggere la presa a bassa tensione, la spina a bassa tensione e il cavo dell'adattatore ed evitare l'estrazione involontaria della spina.

### 3 LINE IN 1 + 2

Ingressi audio analogici con connessioni a morsettiera bilanciate. I poli +, - e G servono per il segnale d'ingresso bilanciato (adatto al cablaggio non bilanciato). Le morsettiere sono fornite in dotazione. Utilizzare gli ingressi con i collegamenti a morsettiera e le prese jack solo come alternativa.

### 4 LINE IN 1 + 2

Ingressi audio analogici con jack da 6,3 mm bilanciate. Utilizzare gli ingressi con i collegamenti a morsettiera e le prese jack solo come alternativa.

### 5 GAIN 1 + 2

Potenziometro per la sensibilità d'ingresso degli ingressi di linea LINE IN 1 e 2.

### 6 LINE OUT 1 + 2

Uscite audio analogiche con jack da 6,3 mm bilanciati.

### 7 PHONES 1 + 2

Uscite per cuffie con jack stereo da 6,3 mm. Le prese da 6,3 mm sul retro sono cablate in parallelo con le prese da 3,5 mm sul davanti; all'occorrenza si possono utilizzare insieme. Accertarsi che l'impedenza totale delle cuffie utilizzate in parallelo non scenda sotto i 16 ohm.

## 8 SETTINGS

### Interruttore 1 STEREO / MONO

**STEREO:** un segnale stereo presente sull'ingresso LINE IN viene emesso in stereo alle uscite per cuffie sul retro e sul davanti e sull'uscita di linea LINE OUT 1/2.

**MONO:** un segnale stereo applicato a LINE IN viene emesso come segnale mono sommato alle uscite per cuffie posteriori e anteriori. Il segnale viene emesso in stereo all'uscita di linea LINE OUT 1 / 2.

### Interruttore 2 HP+MON / HP

**HP+MON:** un segnale applicato a LINE IN viene emesso sulle uscite delle cuffie posteriori e anteriori e su LINE OUT (ad esempio per comandare monitor da studio attivi). Il volume di PHONES 1 e 2 si regola dal pannello frontale con VOLUME 1, il volume di LINE OUT 1/2 si regola con VOLUME 2.

**HP:** Il segnale presente su LINE IN viene emesso alle uscite per cuffia posteriori e anteriori e a LINE OUT 1 / 2. Il volume di PHONES 1 viene regolato in base al volume della cuffia. Il volume di PHONES 1 si regola con VOLUME 1 sul pannello anteriore, quello di PHONES 2 con VOLUME 2. Il livello di LINE OUT 1 / 2 non è influenzato dai controlli di volume.



## 9 INTERRUTTORE DI ACCENSIONE/SPEGNIMENTO E SIMBOLO DI ALIMENTAZIONE

Premere il pulsante per accendere il dispositivo e ripremere per spegnerlo. Non appena l'HPA2 è correttamente collegato all'alimentazione di corrente e si accende, il simbolo dell'alimentazione si illumina di bianco.

## 10 PHONES 1 + 2

Uscite per cuffie con jack stereo da 3,5 mm. Le prese da 6,3 mm sul retro sono cablate in parallelo con le prese da 3,5 mm sul davanti; all'occorrenza si possono utilizzare insieme. Accertarsi che l'impedenza totale delle cuffie utilizzate in parallelo non scenda sotto i 16 ohm.

## 11 VOLUME 1 + 2

I regolatori di livello hanno funzioni diverse in base a com'è impostato l'interruttore Settings sul retro. SETTINGS - HP: un regolatore di livello per uscita cuffie 1 e 2.

SETTINGS - HP+MON: il regolatore di livello VOLUME 1 regola il volume delle uscite cuffie PHONES 1 e 2.

Il regolatore di livello VOLUME 2 regola il volume dell'uscita LINE OUT.

Ruotando il regolatore a destra il volume aumenta, a sinistra lo diminuisce.

Per evitare danni all'udito, prima di utilizzare cuffie, auricolari intraurali e altoparlanti impostare sempre il volume al minimo quindi alzarlo solo gradualmente.

Attenzione: ascoltare con volume elevato può danneggiare irreversibilmente l'udito.

## 12 SIG 1 + 2 (SEGNALE)

Non appena un segnale audio è presente sulle uscite delle cuffie o sull'uscita LINE OUT, l'indicatore del segnale corrispondente si illumina di bianco.

## 13 CLIP 1 + 2

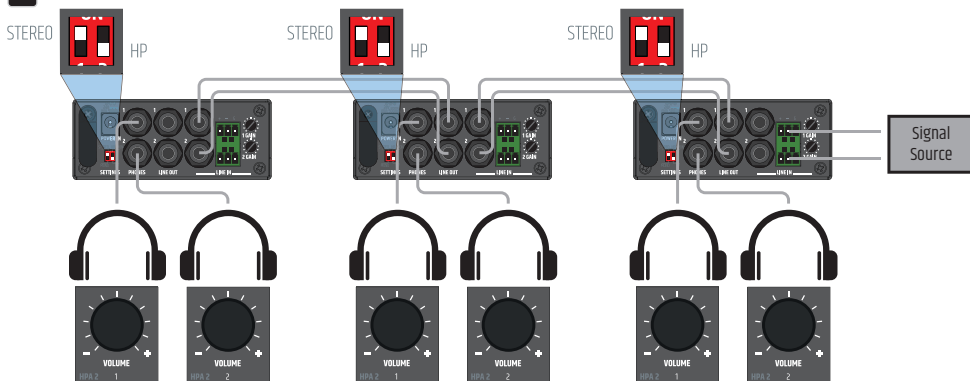
L'indicatore rosso CLIP si accende se l'uscita corrispondente è sovraccarica. In questo caso, abbassare il volume, altrimenti si possono generare distorsioni nella riproduzione del suono e danni al finale di potenza e alle cuffie o agli altoparlanti.

## APERTURE DI AERAZIONE

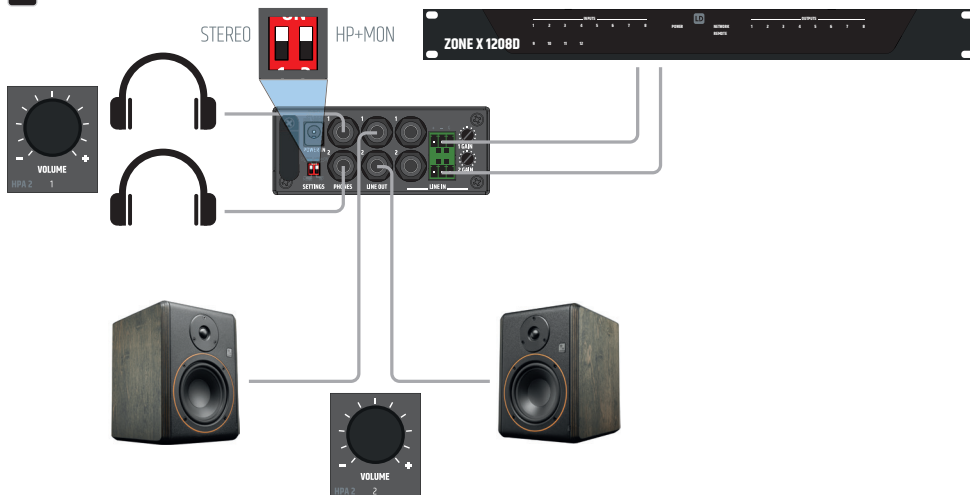
Per evitare danni al dispositivo, non coprire le aperture di ventilazione laterali (destra e sinistra), né quelle sopra e sotto, e assicurarsi che l'aria possa circolare liberamente. Coprire le aperture di ventilazione sul lato superiore o inferiore dell'alloggiamento nel montaggio sotto o su tavolo non è problematico perché il raffreddamento attraverso le aperture di ventilazione laterali è sufficiente.

## ESEMPI DI CONNESSIONE

1

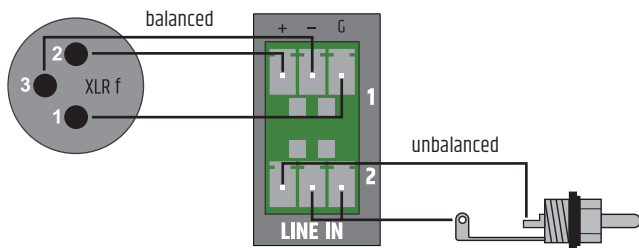


2



## COLLEGAMENTI A MORSETTIERA

### COLLEGAMENTI LINE IN



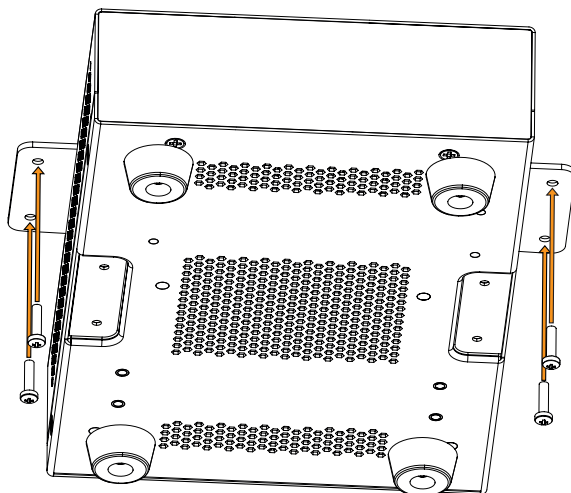
**ATTENZIONE:** quando si esegue il cablaggio delle morsettiere, verificare che poli e terminali siano assegnati correttamente. Il produttore non assume alcuna responsabilità per i danni causati da un cablaggio difettoso!



**Suggerimento:** utilizzare preferibilmente cavi audio bilanciati per il cablaggio di ingressi e uscite di linea analogici.

### MONTAGGIO SOTTO/SU TAVOLO

Per il montaggio sotto o su tavolo, l'alloggiamento presenta due rientranze con due fori filettati M3 ciascuna sul lato superiore e inferiore. Avvitare le due piastre di montaggio in dotazione sul lato superiore o inferiore utilizzando le viti M3 a testa svasata in dotazione. Ora il finale di potenza può essere fissato nella posizione desiderata (v. figura, viti di fissaggio non in dotazione). Per il montaggio su tavolo, si devono prima togliere i quattro piedini in gomma.





## CURA, MANUTENZIONE E RIPARAZIONE

Per garantire il corretto funzionamento dell'unità a lungo termine, è necessario sottoporla a manutenzione regolare e a interventi di assistenza come richiesto. La necessità di cura e manutenzione dipende dall'intensità d'uso e dall'ambiente.

In genere si consiglia un'ispezione visiva prima di ogni messa in funzione. Inoltre, si consiglia di eseguire tutte le misure di manutenzione elencate di seguito ogni 500 ore di funzionamento o, in caso di uso meno intensivo, al massimo dopo un anno. I difetti causati da una cura insufficiente possono comportare la limitazione dei diritti di garanzia.

### CURA (PUÒ ESSERE EFFETTUATA DALL'UTENTE)



**ATTENZIONE!** Prima di effettuare qualsiasi intervento di manutenzione, scollegare l'alimentazione e, se possibile, tutti i collegamenti all'unità.



**NOTA!** Una cura impropria può causare il danneggiamento o addirittura la distruzione dell'unità.

1. Le superfici dell'alloggiamento devono essere pulite con un panno pulito e umido. Assicurarsi che l'umidità non penetri nell'unità.
2. Le entrate e le uscite dell'aria devono essere pulite regolarmente da polvere e sporcizia. Se si utilizza l'aria compressa, assicurarsi di evitare danni all'unità (ad esempio, in questo caso le ventole devono essere bloccate).
3. I cavi e i contatti della spina devono essere puliti regolarmente e liberati da polvere e sporcizia.
4. In generale, per la manutenzione non si possono usare detersivi, disinfettanti o agenti con effetto abrasivo, altrimenti si rischia di compromettere la finitura della superficie. Soprattutto i solventi, come l'alcol, possono compromettere il funzionamento delle guarnizioni dell'alloggiamento.
5. Le unità devono essere conservate in un luogo asciutto e protetto da polvere e sporcizia.

### MANUTENZIONE E RIPARAZIONE (SOLO DA PARTE DI PERSONALE QUALIFICATO)



**PERICOLO !** Il dispositivo contiene componenti sotto tensione. Anche dopo la disconnessione dalla rete elettrica, nel dispositivo può permanere tensione residua, dovuta ad esempio a condensatori carichi.



**NOTA !** Il dispositivo non contiene assiemi che richiedono manutenzione da parte dell'utente.



**NOTA !** Gli interventi di manutenzione e riparazione devono essere eseguiti esclusivamente da personale tecnico sufficientemente qualificato. In caso di dubbi rivolgersi a un'officina specializzata.

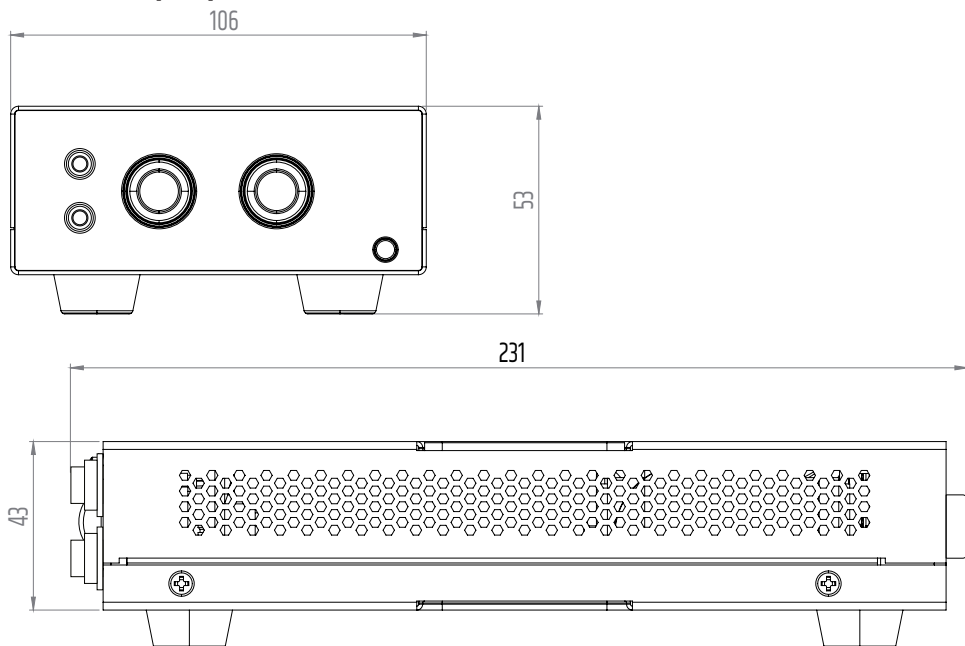


**NOTA !** Gli interventi di manutenzione non eseguiti correttamente possono invalidare la garanzia.



**NOTA !** Nel caso di set di conversione o retrofitting, oppure di accessori forniti dal produttore, seguire sempre il manuale di montaggio incluso.

## DIMENSIONI (mm)



## DATI TECNICI

Codice articolo	LDHPA2
Tipologia di prodotto	Installazione di finale di potenza per cuffie doppio
Ingressi di linea	2
Connettori ingressi di linea	Ingressi di linea bilanciati, morsettiera con passo 3,81 mm (3 pin) / 2 jack TRS da 6,3 mm (1/4")
Uscite di linea	2
Uscite attive	2 stereo
Sistema di raffreddamento	Raffreddamento a convezione
Livelli di priorità	1
Sezione di ingresso	
Sensibilità in ingresso nominale	-9 dBu
Clipping di ingresso nominale	17 dBu
THD+N	< 0,03%
Impedenza d'ingresso	15 kΩ (bilanciato)
SNR	> 100 dB (uscita HP 1/2, 14 dBu, 20 kHz BW, ponderato A)
CMRR	> 50 dB
Guadagno	12 dB max

**Uscita di linea**

Tipo	Bilanciato
Modalità di uscita	Stereo/Mono, HP/HP+MON
Connettori uscite di linea	2 jack TRS da 6,3 mm (1/4")
Livello di uscita di linea max	15 dBu
Risposta in frequenza	18 Hz - 50 kHz (-0,5 dB)

**Uscita finale di potenza per cuffie**

Tipo	Uscita senza condensatore di accoppiamento
Modalità di uscita	Stereo/Mono, HP/HP+MON
Connettore di uscita HP	2 jack TRS da 6,3 mm (1/4") oppure 2 jack TRS da 3,5 mm (1/8")
Potenza RMS in uscita	2 da 75 mW a 33 Ω
Impedenza minima del carico	16 Ohm
Risposta in frequenza	18 Hz - 50 kHz (-0,5 dB)

**Alimentatore**

Tipo	SMPS esterno
Intervallo di tensione	100 VAC - 240 VAC (± 10%), 50 - 60 Hz
Fusibile di rete	Nessuno
Tensione secondaria	24 V DC
Corrente secondaria	0,5 A
Connettore secondario	Connettore coassiale da 5,5 mm / "+" interno
Connettore primario	Spina intercambiabile alimentatore esterno
Classe di sicurezza	Classe 3
Consumo energetico max	5 W (seno 1 kHz con 2 carichi da 33 Ω)
Consumo energetico in modalità inattiva	3,5 W (nessun segnale in ingresso)
Consumo energetico in modalità standby	< 1 W
Corrente di spunto di rete	1,7 A a 230 V CA
Temperatura di esercizio	0 °C - 40 °C; < 85% di umidità, senza formazione di condensa

**Dati generali**

Tempo prima dello standby	N. A.
Materiale	Telaio in acciaio, pannello frontale in plastica
Dimensioni (L x H x P):	106 (L) x 53 (H) x 225 (P) mm (altezza con i piedini in gomma)
Peso	0,850 kg

Accessori inclusi Alimentatore esterno con spine intercambiabili, piastre di montaggio a superficie, morsettiere per collegamenti elettrici.

## SMALTIMENTO



### Imballaggio:

1. Gli imballaggi possono essere immessi nel sistema di riciclaggio attraverso i consueti canali di smaltimento.
2. Separare l'imballaggio in base alle leggi sullo smaltimento e alle norme sul riciclaggio vigenti nel proprio Paese.



### Dispositivo:

1. Questo apparecchio è soggetto alla Direttiva europea sui rifiuti di apparecchiature elettriche ed elettroniche e successive modifiche. Direttiva WEEE Rifiuti di apparecchiature elettriche ed elettroniche. I vecchi elettrodomestici e le batterie non vanno gettati nei rifiuti domestici. Il vecchio apparecchio o le batterie devono essere smaltiti tramite un'azienda autorizzata allo smaltimento dei rifiuti o un impianto di smaltimento comunale. Osservare le norme vigenti nel proprio paese!
2. Osservare tutte le leggi sullo smaltimento vigenti nel proprio Paese.
3. In qualità di clienti privati, è possibile ottenere informazioni sulle opzioni di smaltimento ecologico dal rivenditore presso il quale è stato acquistato il prodotto o dalle autorità regionali competenti.

## DICHIARAZIONI DEL PRODUTTORE

### GARANZIA DEL PRODUTTORE E LIMITAZIONE DI RESPONSABILITÀ

Adam Hall GmbH, Adam-Hall-Str. 1, D-61267 Neu Anspach / E-Mail [Info@adamhall.com](mailto:Info@adamhall.com) / +49 (0)6081 / 9419-0.

Le nostre attuali condizioni di garanzia e la limitazione di responsabilità sono disponibili all'indirizzo:

[https://cdn-shop.adamhall.com/media/pdf/MANUFACTURERS-DECLARATIONS\\_LD\\_SYSTEMS.pdf](https://cdn-shop.adamhall.com/media/pdf/MANUFACTURERS-DECLARATIONS_LD_SYSTEMS.pdf).

In caso di assistenza, contattare il proprio partner commerciale.

### CONFORMITÀ CE

Adam Hall GmbH dichiara che questo prodotto è conforme alla seguente direttiva (se applicabile):

R&TTE (1999/5/CE) o RED (2014/53/UE) a partire da giugno 2017

Direttiva Bassa Tensione (2014/35/UE)

Direttiva EMV (2014/30/UE)

RoHS (2011/65/UE)

La dichiarazione di conformità completa è disponibile sul sito [www.adamhall.com](http://www.adamhall.com).

Inoltre, è possibile richiederla all'indirizzo [info@adamhall.com](mailto:info@adamhall.com).

### DICHIARAZIONE DI CONFORMITÀ EU

Le dichiarazioni di conformità per i prodotti coperti dalle direttive LVD, EMC e RoHS possono essere richieste a [info@adamhall.com](mailto:info@adamhall.com).

Le dichiarazioni di conformità per i prodotti soggetti alla Direttiva RED, possono essere richieste all'indirizzo [www.adamhall.com/compliance/](http://www.adamhall.com/compliance/).

**I refusi e gli errori, così come le modifiche tecniche o di altro tipo sono riservati!**

**This page has been intentionally left blank**

