

## MANUAL

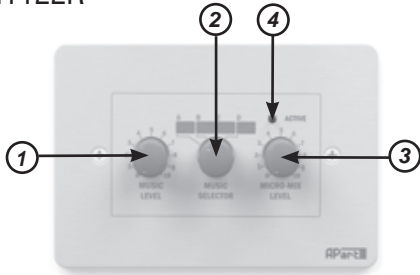
PM1122R



PM1122RL

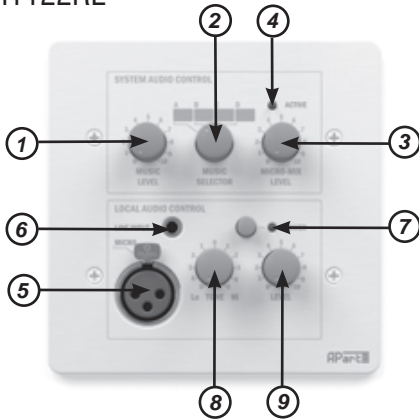


## PM1122R



- 1) Music level
- 2) Music source selector
- 3) Microphone mix level
- 4) Active led

## PM1122RL



- 1) Music level
- 2) Music source selector
- 3) Microphone mix level
- 4) Active led
- 5) Front XLR microphone connector
- 6) Minijack line input connector
- 7) Power on/off with control led
- 8) Local audio tone control
- 9) Local audio level

The APart PM1122R and PM1122RL remote control panels for PM1122 preamplifier have been designed to fit into a standard in-wall box from BTicino. PM1122R fits into a 503E/NP box, PM1122RL fits into a 506E/NP box. Mounting screws are provided with the remote panels.

PM1122R supports music level control, line source selection and microphone mix level control. PM1122RL adds a dual local source input. This can be a microphone signal on the front XLR mic connector and/or a stereo/mono line or headphone output on the front minijack connector. Headphone outputs from iPod's, portable MP3 players or computer line outputs are supported. Phantom power can be applied to the XLR mic connector by setting a jumper at the rear of the PM1122RL. The local source level and tone can be set on the PM1122RL front panel using the dedicated tone and level potmeters. Local source signal output is always mono (stereo signals on minijack are mixed to mono line level). Press the front 'power' button so that the power led lights up to allow input of local audio sources.

Connection between PM1122 and remote panel is made by a standard CAT5 cable wired according to T-568B. Wire length can be up to 300 meters. Maximum wire length depends on multiple factors, such as cable quality and external influence from high power lines etc. The 'active' led on the front (PM1122RL only) lights up when the connected PM1122 preamplifier is switched to remote mode. You can use only one PM1122R/RL per zone.

At the rear of both remote panels, you will find 2 trim potmeters and 2 jumpers (3 jumpers on PM1122RL). The function of these items is explained below, any combination of jumper settings is possible:

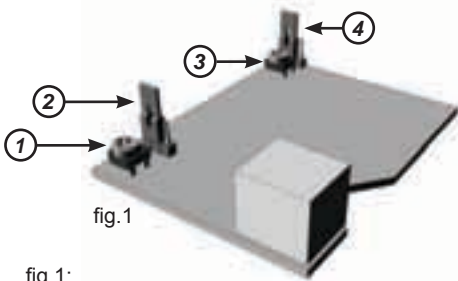


fig.1

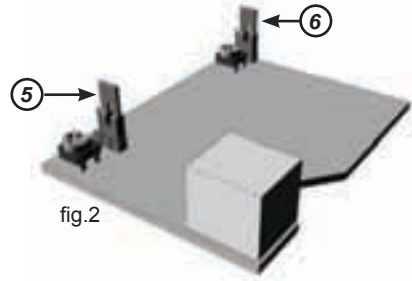


fig.2

fig.1:

- 1) Trim potmeter to preset maximum allowed music level. This level can not be exceeded!
- 2) Music level jumper position down: music level is controlled by front potmeter.
- 3) Trim potmeter to preset maximum allowed microphone level. This level can not be exceeded !
- 4) Microphone level jumper position down: mic level is controlled by front potmeter.

fig.2:

- 5) Music level jumper position up: music level is preset by trim potmeter and can not be controlled by front potmeter.
- 6) Microphone level jumper position up: microphone level is preset by trim potmeter and can not be controlled by front potmeter.

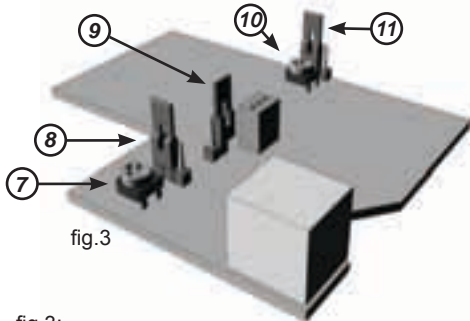


fig.3

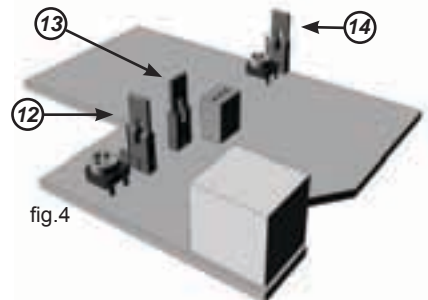


fig.4

fig.3:

- 7) Trim potmeter to preset maximum allowed music level. This level can not be exceeded !
- 8) Music level jumper position down: music level is controlled by front potmeter.
- 9) Phantom power jumper open: no phantom power applied to front XLR connector.
- 10) Trim potmeter to preset maximum allowed microphone level. This level can not be exceeded !
- 11) Microphone level jumper position down: mic level is controlled by front potmeter.

fig.4:

- 12) Music level jumper position up: music level is preset by trim potmeter and can not be controlled by front potmeter.
- 13) Phantom power jumper closed: phantom power applied to front XLR connector.
- 14) Microphone level jumper position up: microphone level is preset by trim potmeter and can not be controlled by front potmeter.

## Technical Specifications

### Controls

- Music and MicMix level control : 0-10V operated
- Music Selector control : DC operated
- Power supply : only via RJ-45 / CAT-5 to PM1122 main unit

### Line input (PM1122RL)

- Input connector : stereo mini jack L & R mixed into mono
- Frequency response : 20Hz - 22 KHz
- Sensitivity - Impedance : 250mV/ -12dBv - 17 Kohm
- Max input level : -3dBV
- S/N ratio : > 80 dB
- THD : < 0,09%
- Tone control mic/line : from 100Hz/+3dB,10kHz/-6dB to 100Hz/-9dB, 10KHz/+4dB

### Mic input (PM1122RL)

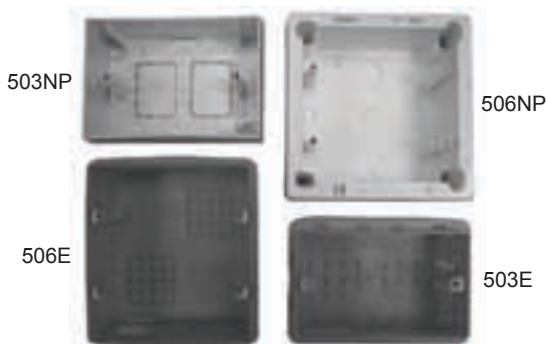
- Input mic connector : XLR-3 Electronically Balanced
- Frequency response : 100Hz -20 KHz
- Sensitivity - Impedance : 3mV/ -50dBv - 1,2 Kohm
- S/N ratio : > 75 dB @ mic level 4mV
- THD : < 0,15%
- Phantom power : 20 V, load dependent
- Tone control mic/line : from 100Hz/+3dB,10kHz/-6dB to 100Hz/-9dB, 10KHz/+4dB

### General (PM1122R)

- Dimensions H x W : 80 x 115 mm (40 mm depth behind panel)
- Shipping / Net weight : 220g,165 g
- Optional built-in and onwall boxes : compatible to Bticino 503 series

### General (PM1122RL)

- Dimensions H x W : 116 x 116 mm (40 mm depth behind panel)
- Shipping / Net weight : 320g, 260g
- Optional built-in and onwall boxes : compatible to Bticino 506 series



#### ANY SUGGESTION?

*They are well appreciated and eventually rewarded!*  
Send your ideas or suggestions to  
[suggestions@apart-audio.com](mailto:suggestions@apart-audio.com)

