

# T12HRIG

## MODULAR FLYING BAR FOR HORIZONTAL T12 ARRAYS

# TORUS

### Features

- Front and rear bar locations allow for a wide range of positive and negative angles
- 1 point lift
- Maximum of 3 cabinets 1 x T12HRIG
- Maximum of 6 cabinets 2 x T12HRIG

### Applications

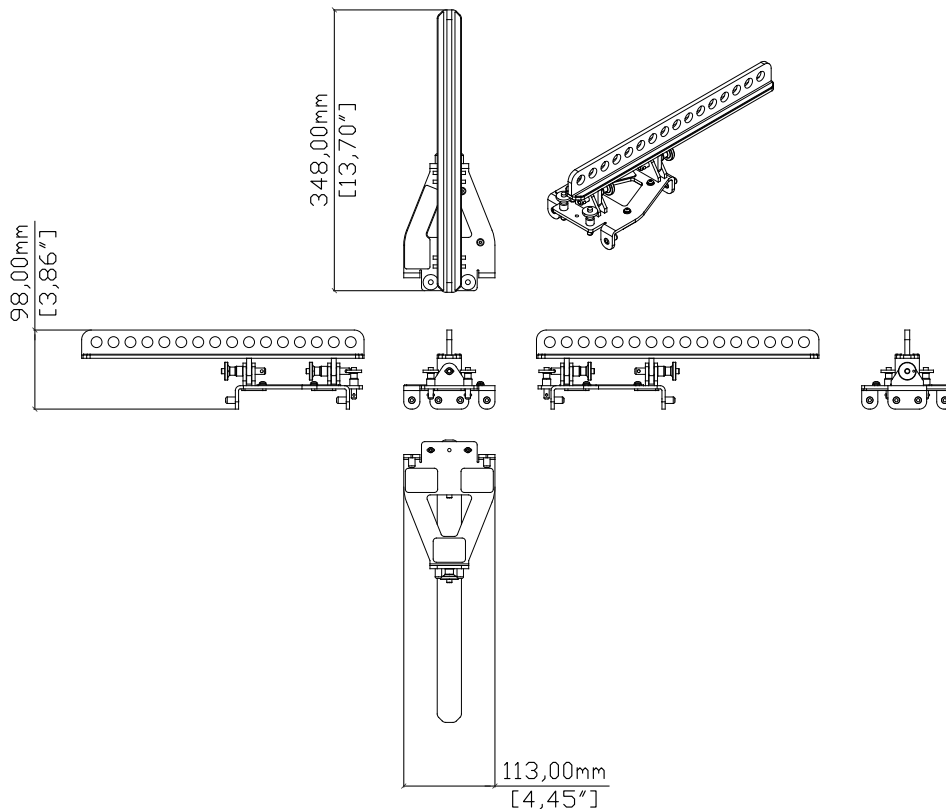
- Touring and installation of TORUS T12 cabinets

### Contents

- 1 x mounting plate
- 1 x lift bar
- 4 x fly pins

### Technical Specifications

WEIGHT	1.63kg/3.6lb
MATERIAL	Weatherised polyester powder coated steel



# T12HRIG

MODULAR FLYING BAR FOR HORIZONTAL T12 ARRAYS

TORUS

## Deployment Options

